



eMH1 WALLBOX

WITH CHARGING CABLE

11 kW

The eMH1 1W1101 is the smallest wallbox with an attached charging cable and Type 2 connector for installation in the private and semi-public domain. Thanks to its extremely compact dimensions, the eMH1 is the perfect indoor and outdoor solution for efficient charging of EV with a Type 2 charging socket. The integrated residual current circuit breaker guarantees an extra high operational safety. Our DC fault current detection is installed as standard.



General information

| | |
|------------------------------|--|
| Model | eMH1 |
| Part number | 1W1101 |
| EAN number | 4011721175386 |
| Commodity code | 85371091 |
| Packaging unit (PU) | 1 unit |
| Packaging (dimensions HxWxD) | 355 x 330 x 270 mm |
| Includes | Wallbox, printed installation guide, drilling template, mounting kit, 2 keys |

Input/Supply

| | |
|-----------------|--|
| Power supply | 5 x 6 mm ² |
| Rated voltage | 230 / 400 V |
| Rated current | 16 A |
| Mains frequency | 50 Hz |
| Back-up fuse | 16 A |
| Terminal block | Direct connection to RCCB PE: 6 mm ² feed-through terminal block |

Output/vehicle connection

| | |
|-----------------------|---|
| Connection system | Single charging cable with Type 2 connector in acc. with IEC62196-2, approx. 6.35 m |
| Output voltage | 230 / 400 V |
| Max. charging current | 16 A |
| Maximum output | 11 kW |

Protection/integrated components

| | |
|----------------------------|---|
| RCCB | RCCB, Type A, 30 mA |
| DC fault current detection | electronic, $I_{\Delta n \text{ d.c.}} \geq 6 \text{ mA}$ |
| Energy meter | - |
| Installation contactor | 4-pole (charging procedure activation) |
| Welding detection | Triggered by welding of the contactor |
| Temperature monitoring | Gradual lowering of charging current in case of overheating |

Charge control/status indicators

| | |
|----------------------------|---------------------------------------|
| Charge controller | EVCC2 |
| Communication | in acc. with IEC 61851-1, Mode 3 |
| Operating status indicator | LED (stand-by, EV detected, charging) |
| Firmware indicator | LED (flashes on startup) |
| Fault indicator | LED (various flash patterns) |
| Interface | RS485 |
| RFID card reader | - |

Standards/Directives

| |
|-----------------------|
| IEC 61851-21-2 |
| IEC 61851-1 Ed. 3 |
| IEC 60364-7-722 Ed. 1 |

Operating conditions

| | |
|--------------------------------|---------------------------|
| Storage temperature | -30°C to 85°C |
| Operating temperature | -30°C to 50°C |
| Relative humidity | 5 to 95%, no condensation |
| Class of protection | I |
| Overvoltage category | III |
| Pollution degree | 3 |
| Degree of protection (housing) | IP54 |
| Power dissipation | n/a |

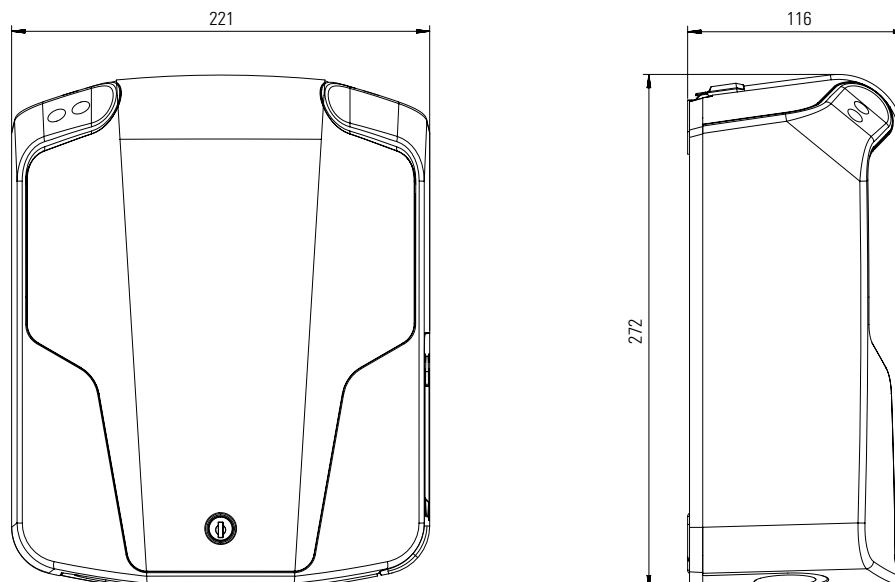
Enclosure

| | |
|--------------------|---|
| Type | Wall-mounted housing |
| Fixing type | Plug and screw fixing (screws included) |
| Material (housing) | Plastic |
| Housing color | RAL9005 |
| Material (cover) | Plastic |
| Cover color | RAL9006 |
| Locking mechanism | Lockable cover with integrated lock |
| Dimensions (HxWxD) | 272 x 221 x 116 mm |
| Weight | ca. 4.5 kg |

Optional accessories

| | |
|---|---------|
| Pole | STEMH10 |
| Foundation | EMH9999 |
| Mounting plate/wall bracket with key switch | 1W0001 |
| Load management | SBCH1 |

Dimensioned drawing



eMH1 WALLBOX

WITH CHARGING CABLE

22 kW

The eMH1 1W2201 is the smallest wallbox worldwide with an attached charging cable and Type 2 connector for installation in the private and semi-public domain. Thanks to its extremely compact dimensions, the eMH1 is the perfect indoor and outdoor solution for efficient charging of EV with a Type 2 charging socket. The integrated residual current circuit breaker guarantees an extra high operational safety. Our DC fault current detection is installed as standard.



General information

| | |
|------------------------------|--|
| Model | eMH1 |
| Part number | 1W2201 |
| EAN number | 4011721175393 |
| Commodity code | 85371091 |
| Packaging unit (PU) | 1 unit |
| Packaging (dimensions HxWxD) | 355 x 330 x 270 mm |
| Includes | Wallbox, printed installation guide, drilling template, mounting kit, 2 keys |

Input/Supply

| | |
|-----------------|--|
| Power supply | 5 x 6 mm ² |
| Rated voltage | 230 / 400 V |
| Rated current | 32 A |
| Rated frequency | 50 Hz |
| Back-up fuse | 32 A |
| Terminal block | Direct connection to RCCB PE: 6 mm ² feed-through terminal block |

Output/vehicle connection

| | |
|-----------------------|---|
| Connection system | Single charging cable with Type 2 connector in acc. with IEC62196-2, approx. 6.35 m |
| Output voltage | 230 / 400 V |
| Max. charging current | 32 A |
| Maximum output | 22 kW |

Protection/integrated components

| | |
|----------------------------|---|
| RCCB | RCCB, Type A, 30 mA |
| DC fault current detection | electronic, $I_{\Delta n \text{ d.c.}} \geq 6 \text{ mA}$ |
| Energy meter | - |
| Installation contactor | 4-pole (charging procedure activation) |
| Welding detection | Triggered by welding of the contactor |
| Temperature monitoring | Gradual lowering of charging current in case of overheating |

Charge control/status indicators

| | |
|----------------------------|---------------------------------------|
| Charge controller | EVCC2 |
| Communication | in acc. with IEC 61851-1, Mode 3 |
| Operating status indicator | LED (stand-by, EV detected, charging) |
| Firmware indicator | LED (flashes on startup) |
| Fault indicator | LED (various flash patterns) |
| Interface | RS485 |
| RFID card reader | - |

Standards/Directives

| |
|-----------------------|
| IEC 61851-21-2 |
| IEC 61851-1 Ed. 3 |
| IEC 60364-7-722 Ed. 1 |

Operating conditions

| | |
|--------------------------------|---------------------------|
| Storage temperature | -30°C to 85°C |
| Operating temperature | -30°C to 50°C |
| Relative humidity | 5 to 95%, no condensation |
| Class of protection | I |
| Overvoltage category | III |
| Pollution degree | 3 |
| Degree of protection (housing) | IP54 |
| Power dissipation | n/a |

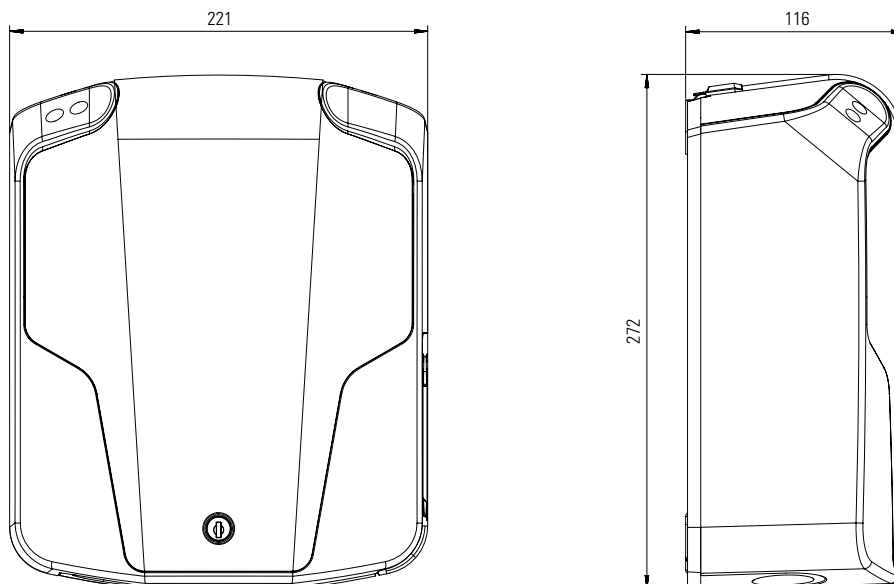
Enclosure

| | |
|--------------------|---|
| Type | Wall-mounted housing |
| Fixing type | Plug and screw fixing (screws included) |
| Material (housing) | Plastic |
| Housing color | RAL9005 |
| Material (cover) | Plastic |
| Cover color | RAL9006 |
| Locking mechanism | Lockable cover with integrated lock |
| Dimensions (HxWxD) | 272 x 221 x 116 mm |
| Weight | ca. 4.5 kg |

Optional accessories

| | |
|---|---------|
| Pole | STEMH10 |
| Foundation | EMH9999 |
| Mounting plate/wall bracket with key switch | 1W0001 |
| Load management | SBCH1 |

Dimensioned drawing



eMH1 WALLBOX

WITH CHARGING CABLE

7.2 kW

The eMH1 1W7201 is the smallest wallbox worldwide with an attached charging cable and Type 2 connector for installation in the private and semi-public domain. Thanks to its extremely compact dimensions, the eMH1 is the perfect indoor and outdoor solution for efficient charging of EV with a Type 2 charging socket. The integrated residual current circuit breaker guarantees an extra high operational safety. Our DC fault current detection is installed as standard.



General information

| | |
|------------------------------|--|
| Model | eMH1 |
| Part number | 1W7201 |
| EAN number | 4011721175812 |
| Commodity code | 85371091 |
| Packaging unit (PU) | 1 unit |
| Packaging (dimensions HxWxD) | 355 x 330 x 270 mm |
| Includes | Wallbox, printed installation guide, drilling template, mounting kit, 2 keys |

Input/Supply

| | |
|-----------------|--|
| Power supply | 3 x 6 mm ² |
| Rated voltage | 230 V |
| Rated current | 32 A |
| Rated frequency | 50 Hz |
| Back-up fuse | 32 A |
| Terminal block | Direct connection to RCCB PE: 6 mm ² feed-through terminal block |

Output/vehicle connection

| | |
|-----------------------|---|
| Connection system | Single charging cable with Type 2 connector in acc. with IEC62196-2, approx. 6.35 m |
| Output voltage | 230 V |
| Max. charging current | 32 A |
| Maximum output | 7.2 kW |

Protection/integrated components

| | |
|----------------------------|---|
| RCCB | RCCB, Type A, 30 mA |
| DC fault current detection | electronic, $I_{\Delta n \text{ d.c.}} \geq 6 \text{ mA}$ |
| Energy meter | - |
| Installation contactor | 4-pole (charging procedure activation) |
| Welding detection | Triggered by welding of the contactor |
| Temperature monitoring | Gradual lowering of charging current in case of overheating |

Charge control/status indicators

| | |
|----------------------------|---------------------------------------|
| Charge controller | EVCC2 |
| Communication | in acc. with IEC 61851-1, Mode 3 |
| Operating status indicator | LED (stand-by, EV detected, charging) |
| Firmware indicator | LED (flashes on startup) |
| Fault indicator | LED (various flash patterns) |
| Interface | RS485 |
| RFID card reader | - |

Standards/Directives

| |
|-----------------------|
| IEC 61851-21-2 |
| IEC 61851-1 Ed. 3 |
| IEC 60364-7-722 Ed. 1 |

Operating conditions

| | |
|--------------------------------|---------------------------|
| Storage temperature | -30°C to 85°C |
| Operating temperature | -30°C to 50°C |
| Relative humidity | 5 to 95%, no condensation |
| Class of protection | I |
| Overvoltage category | III |
| Pollution degree | 3 |
| Degree of protection (housing) | IP54 |
| Power dissipation | n/a |

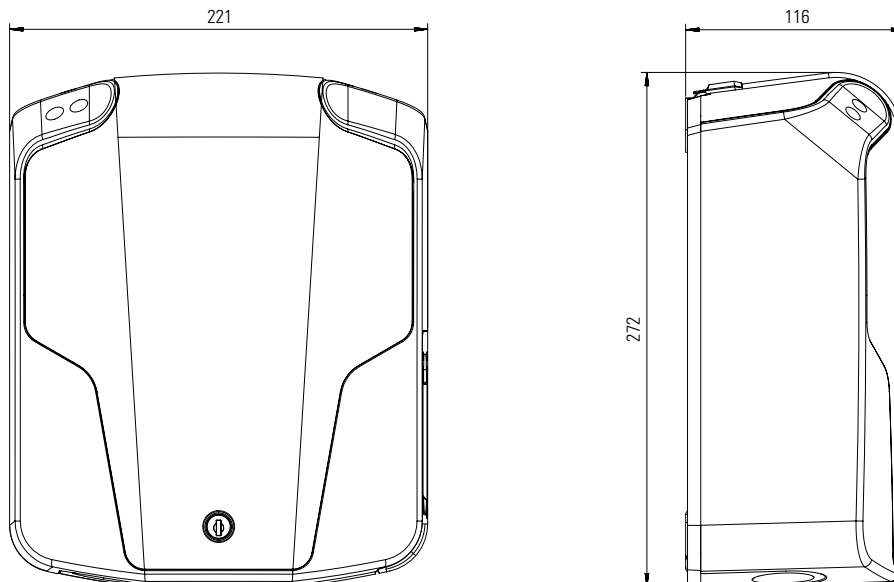
Enclosure

| | |
|--------------------|---|
| Type | Wall-mounted housing |
| Fixing type | Plug and screw fixing (screws included) |
| Material (housing) | Plastic |
| Housing color | RAL9005 |
| Material (cover) | Plastic |
| Cover color | RAL9006 |
| Locking mechanism | Lockable cover with integrated lock |
| Dimensions (HxWxD) | 272 x 221 x 116 mm |
| Weight | ca. 4.5 kg |

Optional accessories

| | |
|---|---------|
| Pole | STEMH10 |
| Foundation | EMH9999 |
| Mounting plate/wall bracket with key switch | 1W0001 |
| Load management | SBCH1 |

Dimensioned drawing





eMH1 WALLBOX

WITH CHARGING CABLE

7.2 kW

The eMH1 1W7241 is the smallest wallbox with an attached charging cable and Type 1 connector for installation in the private and semi-public domain. Thanks to its extremely compact dimensions, the eMH1 is the perfect indoor and outdoor solution for efficient charging of EV with a Type 1 charging socket. The integrated residual current circuit breaker guarantees an extra high operational safety. Our DC fault current detection is installed as standard.



General information

| | |
|------------------------------|--|
| Model | eMH1 |
| Part number | 1W7241 |
| EAN number | 4011721175362 |
| Commodity code | 85371091 |
| Packaging unit (PU) | 1 unit |
| Packaging (dimensions HxWxD) | 355 x 330 x 270 mm |
| Includes | Wallbox, printed installation guide, drilling template, mounting kit, 2 keys |

Input/Supply

| | |
|-----------------|--|
| Power supply | 3 x 6 mm ² |
| Rated voltage | 230 V |
| Rated current | 32 A, preset at 30 A |
| Rated frequency | 50 Hz |
| Back-up fuse | 32 A |
| Terminal block | Direct connection to RCCB PE: 6 mm ² feed-through terminal block |

Output/vehicle connection

| | |
|-----------------------|--|
| Connection system | Single charging cable with Type 1 connector in acc. with IEC62196-2, approx. 5 m |
| Output voltage | 230 V |
| Max. charging current | 32 A |
| Maximum output | 7.2 kW |

Protection/integrated components

| | |
|----------------------------|---|
| RCCB | RCCB, Type A, 30 mA |
| DC fault current detection | electronic, $I_{\Delta n \text{ d.c.}} \geq 6 \text{ mA}$ |
| Energy meter | - |
| Installation contactor | 4-pole (charging procedure activation) |
| Welding detection | Triggered by welding of the contactor |
| Temperature monitoring | Gradual lowering of charging current in case of overheating |

Charge control/status indicators

| | |
|----------------------------|---------------------------------------|
| Charge controller | EVCC2 |
| Communication | in acc. with IEC 61851-1, Mode 3 |
| Operating status indicator | LED (stand-by, EV detected, charging) |
| Firmware indicator | LED (flashes on startup) |
| Fault indicator | LED (various flash patterns) |
| Interface | RS485 |
| RFID card reader | - |

Standards/Directives

| |
|-----------------------|
| IEC 61851-21-2 |
| IEC 61851-1 Ed. 3 |
| IEC 60364-7-722 Ed. 1 |

Operating conditions

| | |
|--------------------------------|---------------------------|
| Storage temperature | -30°C to 85°C |
| Operating temperature | -30°C to 50°C |
| Relative humidity | 5 to 95%, no condensation |
| Class of protection | I |
| Overvoltage category | III |
| Pollution degree | 3 |
| Degree of protection (housing) | IP54 |
| Power dissipation | n/a |

Enclosure

| | |
|--------------------|---|
| Type | Wall-mounted housing |
| Fixing type | Plug and screw fixing (screws included) |
| Material (housing) | Plastic |
| Housing color | RAL9005 |
| Material (cover) | Plastic |
| Cover color | RAL9006 |
| Locking mechanism | Lockable cover with integrated lock |
| Dimensions (HxWxD) | 272 x 221 x 116 mm |
| Weight | ca. 4.5 kg |

Optional accessories

| | |
|---|---------|
| Pole | STEMH10 |
| Foundation | EMH9999 |
| Mounting plate/wall bracket with key switch | 1W0001 |
| Load management | SBCH1 |

Dimensioned drawing

