



POWERFUL COMMUNICATIONS & SAFETY PLATFORM

The Tigo Cloud Connect is the networking hub of the Tigo Smart Module Platform. It connects every smart module to the Tigo SMART monitoring and management software and enables on-site and remote control and safety capabilities.

A INTERNET CONNECTION

Internet connection via Ethernet, WiFi or optional cellular connectivity**

B SAFETY BUTTON

Disconnect every module in the system, compliant with Rapid Shutdown requirements

C ENCLOSURE

Din rail mounted to easily fit inside a standard Breaker, power terminal block input

D SETUP WITH A MOBILE APP

The Tigo Cloud Connect is configurable with our smart phone app that you can download for free. The WiFi capabilities of the Cloud Connect hot spot provides a straightforward and simple configuration process. It also eliminates the need to enter a customer's home to connect to the internet.



ALWAYS CONNECTED



Internet

Connect to the internet through ethernet, WiFi, or Cellular



Third Party Devices

Connect to third party AC meters, inverters, and more



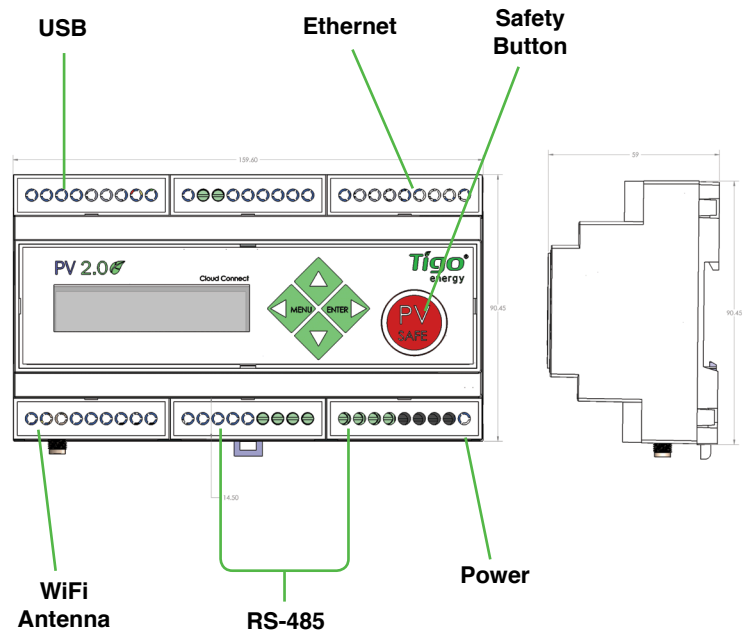
Mobile Configuration

Connect on-site with your phone, or through the local internet hotspot



Safety

NEC 690.12 Rapid Shutdown compliant, supports safety button



Electrical

Supply Voltage: 24VDC +/- 1VDC

Power Consumption: Max 10W

Power Supply: 100-240VAC

Din Rail: Terminal Block or;

Socket: EU/UK/US/AU Interchangeable, 2-Pin Plug

Capacity

Single Cloud Connect Supports up to 360 PV Modules (In Case Of 2Es: 180 Optimizers)

Single Cloud Connect supports up to 7 Tigo Gateways

Internet Connectivity Options

Ethernet Interface: 10/100-BaseT

Wireless Interface: Wi-Fi

Cellular LTE Modem**

Mechanicals

Mounting Type: DIN Rail / Wall Mount

Dimensions: 159.5mm X 90.2mm x 57.5mm (6.28" x 3.55" x 2.26")

Weight: .5 kg / 1.1 lb

Operating Temperature Range -20C to +60C (-4 to 140F)

Cooling: Natural Convection – No Fans

Enclosure: Indoor NEMA 1

Features

Standard Warranty Term: 5 Years (Option to Buy 5 Year Extension)

Safety: CE, UL1741, EN62109-1:2010, NEC 690.12 Rapid Shutdown (Approval Pending)

EMC: FCC Part 15, IC Canada, VCCI Japan

Optional Accessories**

NEMA 3R Outdoor-Rated Enclosure

External Emergency Safety Button (ANSI/UL) Recognized

For supported protocols and devices, see: <https://support.tigoenergy.com/hc/en-us/sections/200408647-Accessories-3rd-Party>

** Optional additions sold separately.

