

YGE 60 CELL SERIES 2



17.7%

CELL EFFICIENCY

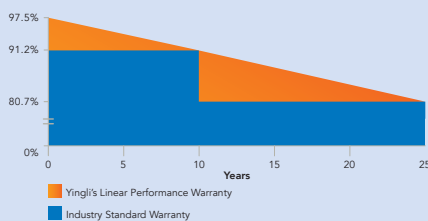
10 YEAR

PRODUCT WARRANTY

0 - 5 W

POWER TOLERANCE

25 Years Linear Warranty



PROVEN QUALITY IN A NEW DIMENSION

Independently tested for proven product quality and long-term reliability. Millions of PV systems installed worldwide demonstrate Yingli's industry leadership.



Durability

Durable PV modules, independently tested for harsh environmental conditions such as exposure to salt mist, ammonia and known PID risk factors.



Advanced Glass

Our high-transmission glass features a unique anti-reflective coating that directs more light on the solar cells, resulting in a higher energy yield.



Top-Selling Module Size

First choice for millions of banks and investors, this size is well-suited for almost all PV applications.



PID Resistant

Tested in accordance to the draft standard IEC 62804, our PV modules have demonstrated resistance against PID (Potential Induced Degradation), which translates to security for your investment.

Yingli Green Energy

Yingli Green Energy Holding Company Limited (NYSE: YGE), known as "Yingli Solar," is the world's largest photovoltaic module manufacturer in terms of production capacity. We are a leading solar energy company dedicated to proven product reliability and sustainable performance.

YGE 60 CELL SERIES 2

ELECTRICAL PERFORMANCE

Electrical parameters at Standard Test Conditions (STC)

Module type	YLxxxP-29b (xxx=P _{max})						
			260	255	250	245	240
Power output	P _{max}	W	260	255	250	245	240
Power output tolerances	ΔP _{max}	W	0 / + 5				
Module efficiency	η _m	%	16.0	15.7	15.4	15.1	14.8
Voltage at P _{max}	V _{mpp}	V	30.3	30.0	29.8	29.6	29.3
Current at P _{max}	I _{mpp}	A	8.59	8.49	8.39	8.28	8.18
Open-circuit voltage	V _{oc}	V	37.7	37.7	37.6	37.5	37.5
Short-circuit current	I _{sc}	A	9.09	9.01	8.92	8.83	8.75

STC: 1000W/m² irradiance, 25°C cell temperature, AM1.5g spectrum according to EN 60904-3.
Average relative efficiency reduction of 3.3% at 200W/m² according to EN 60904-1.

Electrical parameters at Nominal Operating Cell Temperature (NOCT)

Power output	P _{max}	W	189.7	186.0	182.4	178.7	175.1
Voltage at P _{max}	V _{mpp}	V	27.6	27.4	27.2	27.0	26.8
Current at P _{max}	I _{mpp}	A	6.87	6.79	6.71	6.62	6.54
Open-circuit voltage	V _{oc}	V	34.8	34.8	34.7	34.6	34.6
Short-circuit current	I _{sc}	A	7.35	7.28	7.21	7.14	7.07

NOCT: open-circuit module operation temperature at 800W/m² irradiance, 20°C ambient temperature, 1m/s wind speed.

THERMAL CHARACTERISTICS

Nominal operating cell temperature	NOCT	°C	46 +/- 2
Temperature coefficient of P _{max}	γ	%/°C	-0.42
Temperature coefficient of V _{oc}	β _{Voc}	%/°C	-0.32
Temperature coefficient of I _{sc}	α _{Isc}	%/°C	0.05
Temperature coefficient of V _{mpp}	β _{Vmpp}	%/°C	-0.42

OPERATING CONDITIONS

Max. system voltage	1000V _{DC}
Max. series fuse rating	15A
Limiting reverse current	15A
Operating temperature range	-40°C to 85°C
Max. static load, front (e.g., snow)	5400Pa
Max. static load, back (e.g., wind)	2400Pa
Max. hailstone impact (diameter / velocity)	25mm / 23m/s

CONSTRUCTION MATERIALS

Front cover (material / thickness)	low-iron tempered glass / 3.2mm
Cell (quantity / material / dimensions / number of busbars)	60 / multicrystalline silicon / 156mm x 156mm / 2 or 3
Frame (material / color / anodization color / edge sealing)	anodized aluminum alloy / silver / clear / silicone or tape
Junction box (protection degree)	≥ IP65
Cable (length / cross-sectional area)	1000mm / 4mm ²
Plug connector (type / protection degree)	MC4 / IP67 or YT08-1 / IP67 or Amphenol H4 / IP68

- Due to continuous innovation, research and product improvement, the specifications in this product information sheet are subject to change without prior notice. The specifications may deviate slightly and are not guaranteed.
- The data do not refer to a single module and they are not part of the offer, they only serve for comparison to different module types.

QUALIFICATIONS & CERTIFICATES

IEC 61215, IEC 61730, CE, MCS, ISO 9001:2008, ISO 14001:2004, BS OHSAS 18001:2007, PV Cycle, SA 8000



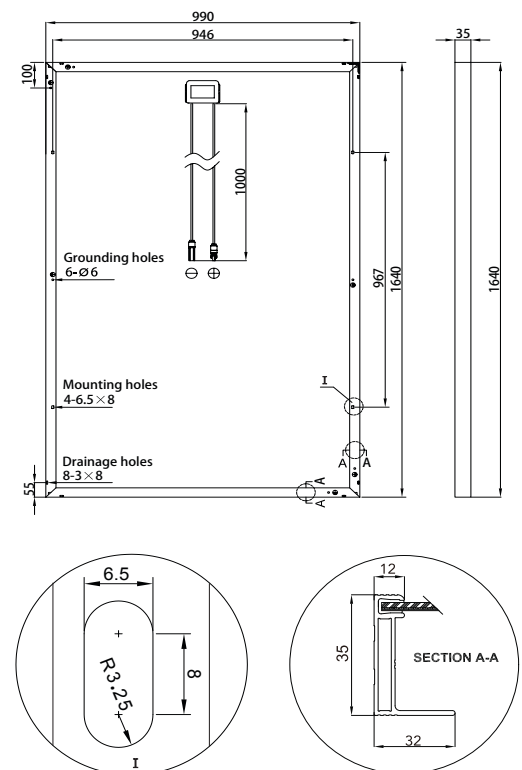
GENERAL CHARACTERISTICS

Dimensions (L / W / H)	1640mm / 990mm / 35mm
Weight	18.5kg

PACKAGING SPECIFICATIONS

Number of modules per pallet	29
Number of pallets per 40' container	28
Packaging box dimensions (L / W / H)	1700mm / 1135mm / 1165mm
Box weight	568kg

Unit: mm



Warning: Read the Installation and User manual in its entirety before handling, installing, and operating Yingli Solar modules.

Yingli Partners:

Yingli Green Energy Holding Co., Ltd.

service@yingli.com

Tel: +86-312-2188055

YINGLISOLAR.COM

