

System Description



Multicenter Systems with Stand-Alone Grid or Increased Self-Consumption and Battery-Backup Function

Sunny Island 6.0H / 8.0H and Multicenter-Box 12 / Grid-Connect-Box 12



Legal Provisions

The information contained in these documents is the property of SMA Solar Technology AG. No part of this document may be reproduced, stored in a retrieval system, or transmitted, in any form or by any means, be it electronic, mechanical, photographic, magnetic or otherwise, without the prior written permission of SMA Solar Technology AG. Internal reproduction used solely for the purpose of product evaluation or other proper use is allowed and does not require prior approval.

SMA Solar Technology AG makes no representations or warranties, express or implied, with respect to this documentation or any of the equipment and/or software it may describe, including (with no limitation) any implied warranties of utility, merchantability, or fitness for any particular purpose. All such representations or warranties are expressly disclaimed. Neither SMA Solar Technology AG nor its distributors or dealers shall be liable for any indirect, incidental, or consequential damages under any circumstances.

The exclusion of implied warranties may not apply in all cases under some statutes, and thus the above exclusion may not apply.

Specifications are subject to change without notice. Every attempt has been made to make this document complete, accurate and up-to-date. Readers are cautioned, however, that product improvements and field usage experience may cause SMA Solar Technology AG to make changes to these specifications without advance notice, or per contract provisions in those cases where a supply agreement requires advance notice. SMA Solar Technology AG shall not be responsible for any damages, including indirect, incidental or consequential damages, caused by reliance on the material presented, including, but not limited to, omissions, typographical errors, arithmetical errors or listing errors in the content material.

SMA Warranty

You can download the current warranty conditions from the Internet at www.SMA-Solar.com.

Trademarks

All trademarks are recognized, even if not explicitly identified as such. Missing designations do not mean that a product or brand is not a registered trademark.

SMA Solar Technology AG

Sonnenallee 1

34266 Niestetal

Germany

Tel. +49 561 9522-0

Fax +49 561 9522-100

www.SMA.de

Email: info@SMA.de

Status: 9/12/2019

Copyright © 2019 SMA Solar Technology AG. All rights reserved.

Table of Contents

1	Information on this Document	4
1.1	Validity	4
1.2	Target Group	4
1.3	Content and Structure of this Document	4
1.4	Levels of Warning Messages	4
1.5	Symbols in the Document	5
1.6	Typographies in the Document	5
1.7	Designation in the document	5
1.8	Additional Information	6
2	Safety	7
2.1	Intended Use	7
2.2	IMPORTANT SAFETY INSTRUCTIONS	8
2.3	Battery Safety Information	11
3	Functions and Design	14
3.1	Design of a Multicluster-Box	14
3.2	Structures of a Multicluster System	15
3.2.1	Structures for Off-Grid Systems	15
3.2.2	Structure for Systems with Increased Self-Consumption and Battery-Backup Function	17
3.3	Off-Grid System	17
3.3.1	Off-Grid System Functions	17
3.3.2	Off-Grid System Requirements	18
3.3.3	Optional Devices and Functions	18
3.4	Multicluster System with Increased Self-Consumption and Battery-Backup Function	19
3.4.1	Principle of a System with Increased Self-Consumption and Battery-Backup Function	19
3.4.2	Requirements of VDE Application Guide 2510-2	20
3.4.3	Requirements for Systems with Increased Self-Consumption and Battery-Backup Function	20
4	Circuitry of Multicluster Systems	21
4.1	Connecting the Master in the Main Cluster	21
4.2	Connecting Slave 1 in the Main Cluster	23
4.3	Connecting Slave 2 in the Main Cluster	25
4.4	Connecting the Sunny Island Inverters in Extension Clusters	26
5	Commissioning	27
5.1	Commissioning Procedure	27
5.1.1	Commissioning Procedure for an Off-Grid System	27
5.1.2	Procedure when Commissioning a System with Increased Self-Consumption and Battery-Backup Function	28
5.2	Testing Communication in the Multicluster System	29
5.3	Commissioning an Off-Grid System	30
5.3.1	Commissioning the Multifunction Relays	30
5.3.2	Testing the Load Shedding	30
5.4	Commissioning a System With Increased Self-Consumption and Battery-Backup Function	30
5.4.1	Adjusting the Configuration of the Sunny Island	30
5.4.2	Adjusting the Configuration of the PV Inverters	31
5.4.3	Commissioning the System with Increased Self-Consumption and Battery-Backup Function	31
5.4.4	Registering the Multicluster System in Sunny Portal	32
6	Contact	33

1 Information on this Document

1.1 Validity

This document is valid for multicluster systems with stand-alone grid or increased self-consumption and battery-backup function, in which the following device types are used:

- SI6.0H-13 (Sunny Island 6.0H) from firmware version 1.04.xx.R
- SI8.0H-13 (Sunny Island 8.0H) from firmware version 1.04.xx.R
- MC-BOX-12.3-20 (Multicluster-Box 12)
- GRID-BOX-12.3-20 (Grid-Connect-Box 12)

1.2 Target Group

The tasks described in this document must only be performed by qualified persons. Qualified persons must have the following skills:

- Knowledge of how an inverter works and is operated
- Knowledge of how batteries work and are operated
- Training in the installation and commissioning of electrical devices and installations
- Knowledge of all applicable laws, standards and directives
- Knowledge of and compliance with this document and all safety information
- Knowledge of and compliance with the documents of the battery manufacturer with all safety information

1.3 Content and Structure of this Document

This document summarizes the specific information on multicluster systems with Sunny Island inverters and Multicluster-Box 12. The structure of the document specifies the chronological sequence for configuration and commissioning.

This document supplements the documents that are enclosed with each product and does not replace any locally applicable codes or standards. Read and observe all documents supplied with the product.

Illustrations in this document are reduced to the essential information and may deviate from the real product.

1.4 Levels of Warning Messages

The following levels of warning messages may occur when handling the product.

DANGER

Indicates a hazardous situation which, if not avoided, will result in death or serious injury.

WARNING

Indicates a hazardous situation which, if not avoided, could result in death or serious injury.







CAUTION

Indicates a hazardous situation which, if not avoided, could result in minor or moderate injury.

NOTICE

Indicates a situation which, if not avoided, can result in property damage.

1.5 Symbols in the Document

Symbol	Explanation
	Information that is important for a specific topic or goal, but is not safety-relevant
<input type="checkbox"/>	Indicates a requirement for meeting a specific goal
<input checked="" type="checkbox"/>	Desired result
✘	A problem that might occur
	Example
	This information is relevant for systems which are to be operated in parallel with utility grid. (e.g. SMA Flexible Storage System).
	
	Content is relevant for off-grid systems.
	Section in which the installation and commissioning process is illustrated graphically.

1.6 Typographies in the Document

Typography	Use	Example
bold	<ul style="list-style-type: none"> Messages Terminals Elements on a user interface Elements to be selected Elements to be entered 	<ul style="list-style-type: none"> Connect the insulated conductors to the terminals X703:1 to X703:6. Enter 10 in the field Minutes.
>	<ul style="list-style-type: none"> Connects several elements to be selected 	<ul style="list-style-type: none"> Select Settings > Date.
[Button]	<ul style="list-style-type: none"> Button or key to be selected or pressed 	<ul style="list-style-type: none"> Select [Enter].
[Key]		
#	<ul style="list-style-type: none"> Placeholder for variable components (e.g., parameter names) 	<ul style="list-style-type: none"> Parameter WCtHz.Hz#

1.7 Designation in the document

Complete designation	Designation in this document
Grid-Connect-Box 12	Grid-Connect-Box
Multicluster-Box 12	Multicluster-Box

Complete designation	Designation in this document
Multicluster system with increased self-consumption, battery-backup function or increased self-consumption and battery-backup function	Multicluster system with increased self-consumption and battery-backup function
Multicluster system with stand-alone grid	Off-grid system
Sunny Boy, Sunny Tripower	PV inverter
Sunny Island 6.0H / 8.0H	Sunny Island, battery inverter

1.8 Additional Information

For more information, please go to www.SMA-Solar.com.

Title and information content	Type of information
Mounting, installation, commissioning, operation, configuration, troubleshooting and decommissioning of the inverter	Operating manual
"Parameters and Measured Values" Overview of all inverter operating parameters and their configuration options	Technical Information
MULTICLUSTER-BOX 12	Installation - circuitry overview
MULTICLUSTER-BOX 12	Operating manual
SUNNY ISLAND 4.0M / 6.0H / 8.0H	Operating manual
GRID-CONNECT-BOX 12	Operating manual

2 Safety

2.1 Intended Use

The multicluster system forms an AC grid and is made up of several three-phase clusters. Three Sunny Island are connected in parallel on the DC side of each cluster. The multicluster system can be set up as an off-grid system or as a system with increased self-consumption and battery-backup function.

The Multicluster-Box and Grid-Connect-Box do not replace the distribution board for the loads or the PV system. In addition to the Multicluster-Box and Grid-Connect-Box, you must install the necessary protective devices for the loads and the PV system.

Loads connected to the Sunny Island must have an CE, RCM or UL identification label.

The product is not suitable for supplying life-sustaining medical devices. A power outage must not lead to personal injury.

Only device types with the same output power may be installed in a cluster. This means that the device types, such as SI6.0H-12 and SI6.0H-13, may be combined within a cluster. In contrast, device types with different outputs (e.g. SI6.0H-13 and SI8.0H-13) may not be combined. The cluster master must always be an SI6.0H-13 / SI8.0H-13. It must be equipped with the latest firmware version.

An utility grid connected to the multicluster system must be a TN or TT grid configuration. The technical connection requirements of the grid operator and the local standards and directives must be fulfilled. When connecting the multicluster system to the utility grid, all information in this quick reference guide and the instructions provided in the enclosed documentation must be observed.

Generators must be suitable for TN systems and must always be connected to the Multicluster-Box.

The entire battery voltage range must be completely within the permissible DC input voltage range of the Sunny Island. The maximum permissible DC input voltage of the Sunny Island must not be exceeded. A battery fuse must be installed between the battery and the Sunny Island.

With lead-acid batteries, the battery room must be ventilated in accordance with the requirements of the battery manufacturer and with the locally applicable standards and directives (see documentation of the battery manufacturer).

The following conditions must be satisfied for lithium-ion batteries:

- The lithium-ion battery must comply with the locally applicable standards and directives and must be intrinsically safe.
- The battery management of the lithium-ion battery used must be compatible with the Sunny Island (see the technical information at "List of Approved Batteries").
- The lithium-ion battery must be able to supply enough current at maximum output power of the Sunny Island (for technical data see the Sunny Island operating manual).

An DC supply grid may not be established with the Sunny Island.

The AC sources in the multicluster system must be suitable for stand-alone mode with Sunny Island (for PV inverters see planning guidelines "Design of Off-Grid Systems with Sunny Island Devices" at www.SMA-Solar.com). The maximum output power of the AC sources in a stand-alone grid must be observed (see the operating manual of the Sunny Island).

For a multicluster system with increased self-consumption and battery-backup function, the connected PV system must be suitable for both stand-alone mode and utility grid operation (see the planning guidelines "SMA Flexible Storage System with Battery Backup Function" at www.SMA-Solar.com). The maximum output power of the PV system depends on the installation site (see Section 3.4.3, page 20).

DC charge controllers may not be included in a multicluster system connected to the utility grid.

With the internal measuring device of the Multicluster-Box, the multicluster system detects the electricity fed into and purchased from the grid at the grid connection point of the Grid-Connect-Box. The internal measuring device of the Multicluster-Box does not replace the energy meter of the electric utility company.

For PV system monitoring, only the SMA Cluster Controller is used in multicluster systems.

Use SMA products only in accordance with the information provided in the enclosed documentation and with the locally applicable laws, regulations, standards and directives. Any other application may cause personal injury or property damage.

Alterations to the SMA products, e.g., changes or modifications, are only permitted with the express written permission of SMA Solar Technology AG. Unauthorized alterations will void guarantee and warranty claims and in most cases terminate the operating license. SMA Solar Technology AG shall not be held liable for any damage caused by such changes.

Any use of the product other than that described in the Intended Use section does not qualify as the intended use.

The enclosed documentation is an integral part of this product. Keep the documentation in a convenient, dry place for future reference and observe all instructions contained therein.

This document does not replace and is not intended to replace any local, state, provincial, federal or national laws, regulations or codes applicable to the installation, electrical safety and use of the product. SMA Solar Technology AG assumes no responsibility for the compliance or non-compliance with such laws or codes in connection with the installation of the product.

2.2 IMPORTANT SAFETY INSTRUCTIONS

SAVE THESE INSTRUCTIONS

This section contains safety information that must be observed at all times when working.

The product has been designed and tested in accordance with international safety requirements. As with all electrical or electronical devices, there are residual risks despite careful construction. To prevent personal injury and property damage and to ensure long-term operation of the product, read this section carefully and observe all safety information at all times.

DANGER

Danger to life due to electric shock when live components or cables are touched

High voltages are present in the conductive components or cables of the product. Touching live parts and cables results in death or lethal injuries due to electric shock.

- Do not touch non-insulated parts or cables.
- Disconnect the system from voltage sources and make sure it cannot be reconnected before working on the device.
- Observe all safety information on components associated with the product.
- Wear suitable personal protective equipment for all work on the product.

DANGER

Danger to life due to electric shock in case of overvoltages and if surge protection is missing

Overvoltages (e. g. in the event of a flash of lightning) can be further conducted into the building and to other connected devices in the same network via the network cables or other data cables if there is no surge protection. Touching live parts and cables results in death or lethal injuries due to electric shock.

- Ensure that all devices in the same network and the battery are integrated into the existing surge protection.
- When laying the network cables or other data cables outdoors, it must be ensured that a suitable surge protection device is provided at the transition point of the cable from the product or the battery outdoors to the inside of a building.

⚠ DANGER**Danger to life due to electric shock in case of overvoltages and unsuitable loads**

Overvoltages of up to 1500 V can occur in the stand-alone grid and in the battery-backup grid. If the loads are not suitable for these overvoltages or are not safe to operate, a voltage that poses a danger to life may be present on accessible parts or cables. Touching live parts and cables results in death or lethal injuries due to electric shock.

- Only connect loads that have a CE, RCM or UL designation. These loads are suitable for overvoltages of up to 1500 V.
- Operate the loads only when they are technically faultless and in an operationally safe state.
- Check the loads regularly for visible damage.

⚠ DANGER**Danger to life due to electric shock when operating a damaged product**

Operating a damaged product can lead to hazardous situations since high voltages can be present on accessible product parts. Touching live parts and cables results in death or lethal injuries due to electric shock.

- Only operate the system when it is in a flawless technical condition and safe to operate.
- Check the system regularly for visible damage.
- Make sure that all external safety equipment is freely accessible at all times.
- Make sure that all safety equipment is in good working order.
- Wear suitable personal protective equipment for all work on the product.

⚠ WARNING**Danger to life due to fire or explosion**

In rare cases, an explosive gas mixture can be generated inside the inverter under fault conditions. In this state, switching operations can cause a fire inside the inverter or explosion. Death or lethal injuries due to hot or flying debris can result.

- In the event of a fault, do not perform any direct actions on the inverter.
- Ensure that unauthorized persons have no access to the inverter.
- Disconnect the battery from the product via an external disconnection device.
- Disconnect the AC circuit breaker, or keep it disconnected in case it has already tripped, and secure it against reconnection.
- Only perform work on the inverter (e.g., troubleshooting, repair work) when wearing personal protective equipment for handling of hazardous substances (e.g., safety gloves, eye and face protection, respiratory protection).

⚠ WARNING**Risk of injury due to toxic substances, gases and dusts.**

In rare cases, damages to electronic components can result in the formation of toxic substances, gases or dusts inside the inverter. Touching toxic substances and inhaling toxic gases and dusts can cause skin irritation, burns or poisoning, trouble breathing and nausea.

- Only perform work on the inverter (e.g., troubleshooting, repair work) when wearing personal protective equipment for handling of hazardous substances (e.g., safety gloves, eye and face protection, respiratory protection).
- Ensure that unauthorized persons have no access to the inverter.

⚠ WARNING**Danger to life from electric shock due to circuit breakers that cannot be tripped**

In off-grid systems and battery-backup systems, the Sunny Island can only trip circuit breakers up to a certain tripping characteristic. Circuit breakers with a higher operating current cannot be tripped. Under fault conditions, a voltage that poses a danger to life may be present on accessible parts for several seconds. Touching live components can result in death or serious injury due to electric shock.

- SI6.0H-13 and SI8.0H-13: Check whether a circuit breaker has a higher trip characteristic than B16 (B16A) or C6 (C6A).
- If a circuit breaker has a higher trip characteristic than the specified circuit breakers that can be tripped, you should also install a residual-current device of type A.

⚠ WARNING**Risk of crushing injuries due to moving PV array parts**

A generator can be started automatically by the Sunny Island. Moving parts in the PV array can crush or sever body parts.

- Operate the generator only with the specified safety equipment.
- Carry out all work on the generator in accordance with the manufacturer's specifications.

⚠ CAUTION**Risk of burns due to short-circuit currents on the disconnected inverter**

The capacitors in the DC input area of the inverter store energy. After the battery is isolated from the inverter, battery voltage is still temporarily present at the DC terminal. A short circuit at the DC terminal of the inverter can lead to burns and may damage the inverter.

- Wait 15 minutes before performing any work at the DC terminal or on the DC cables. This allows the capacitors to discharge.

⚠ CAUTION**Risk of burns due to hot enclosure parts**

Some parts of the enclosure can get hot during operation.

- Mount the inverter in such a way that it cannot be touched inadvertently during operation.

NOTICE**Damage to the system due to sand, dust and moisture ingress**

Sand, dust and moisture penetration can damage the system and impair its functionality.

- Only open the product if the humidity is within the thresholds and the environment is free of sand and dust.
- Do not open the product during a dust storm or precipitation.

NOTICE**Damage to the inverter due to electrostatic discharge**

Touching electronic components can cause damage to or destroy the inverter through electrostatic discharge.

- Ground yourself before touching any component.

NOTICE

Damage to the enclosure seal in subfreezing conditions

If you open the product when temperatures are below freezing, the enclosure seals can be damaged. Moisture can penetrate the product and damage it.

- Only open the product if the ambient temperature is not below -5°C .
- If a layer of ice has formed on the enclosure seal when temperatures are below freezing, remove it prior to opening the product (e.g. by melting the ice with warm air).

NOTICE

High costs due to inappropriate Internet tariff

Depending on use, the data volume of the product transferred via the Internet may vary in size. The data volume depends, for example, on the number of inverters in the system, the frequency of device updates, the frequency of data transfer to Sunny Portal or the use of FTP push. High costs for the Internet connection can be the result.

- SMA Solar Technology AG recommends using an Internet flat rate.

i The inverter supports different firmware versions that are suitable for different systems.

Inverters using firmware version $\leq 2.99.99.R$ are suitable for off-grid systems and systems that are not subject to the European grid connection conditions in accordance with Regulation (EU) 2016/631 for establishing a network code (also known as RfG). In addition, inverters with firmware version $\leq 2.99.99.R$ may be used in systems that have been commissioned before April 27, 2019, and that are subject to the grid connection conditions of VDE-AR-N 4105:2011-08.

Inverters using a firmware version $\geq 3.00.00.R$ are only suitable for systems that are operated in parallel with the utility grid (e.g. SMA Flexible Storage System). The firmware version $\geq 3.00.00.R$ complies with VDE-AR-N 4105-11:2018, EN50549-1:2018, C10/11:2018 and EREC G98:2018 / G99:2018 of the European grid connection conditions in accordance with Regulation (EU) 2016/631 for establishing a network code (also known as RfG), valid from April 27, 2019 within the EU.

Inverters with a firmware version $\leq 2.99.99.R$ can be identified by the imprint **2:Off-Grid** on the box label. Inverters with a firmware version $\geq 3.00.00.R$ can be identified by the imprint **1:On-Grid** on the box label.

- Ensure that the inverter is equipped with a firmware version that are suitable for the respective system.

i Change to the names and units of grid parameters to comply with the grid-connection requirements in accordance with Regulation (EU) 2016/631 (valid from April 27, 2019)

To comply with the EU grid-connection requirements (valid from April 27, 2019) the names and units of grid parameters were changed. The change is valid from firmware version $\geq 3.00.00.R$. Names and units of grid parameters for inverters with firmware version $\leq 2.99.99.R$ are not affected by this change and remain valid.

2.3 Battery Safety Information

This section contains safety information that must be observed at all times when working on or with batteries.

To prevent personal injury or property damage and to ensure long-term operation of the batteries, read this section carefully and observe all safety information at all times.

⚠ WARNING**Danger to life due to incompatible lithium-ion battery**

An incompatible lithium-ion battery can lead to a fire or an explosion. With incompatible lithium-ion batteries, it is not ensured that battery management is intrinsically safe and will protect the battery.

- Ensure that the lithium-ion batteries are approved for use with the Sunny Island (see technical information "List of Approved Batteries" at www.SMA-Solar.com).
- If no lithium-ion batteries approved for the inverter can be used, lead-acid batteries can be used.
- Verify that the battery complies with locally applicable standards and directives and is intrinsically safe.

⚠ WARNING**Danger to life due to explosive gases**

Explosive gases may escape from the battery and cause an explosion.

- Protect the battery environment from open flames, embers and sparks.
- Install, operate and maintain the battery in accordance with the manufacturer's specifications.
- Do not burn the battery and do not heat it beyond the permitted temperature.
- Additional measures for lead-acid batteries: Ensure that the battery room is sufficiently ventilated.

⚠ WARNING**Chemical burns due to battery electrolyte**

If handled inappropriately, battery electrolyte can leak from the battery and cause irritation to the eyes, respiratory system and skin.

- Install, operate, maintain and dispose of the battery according to the manufacturer's specifications.
- Whenever working on the battery, wear suitable personal protective equipment such as rubber gloves, an apron, rubber boots and goggles.
- Rinse acid splashes thoroughly for a long time with clear water, and consult a doctor immediately.
- If acid fumes have been inhaled, consult a doctor immediately.

⚠ WARNING**Danger to life due to burns caused by electric arcs through short-circuit currents**

Short-circuit currents in the battery can cause heat build-up and electric arcs. Heat build-up and electric arcs may result in lethal injuries due to burns.

- Remove watches, rings and other metal objects prior to carrying out any work on the battery.
- Use insulated tools for all work on the battery.
- Do not place tools or metal parts on the battery.
- Observe all safety information of the battery manufacturer.

⚠ CAUTION**Risk of burns due to hot battery components**

Improper battery connection may result in excessively high transition resistances. Excessive transition resistances give rise to localized heat build-up.

- Ensure that all pole connectors are connected with the connecting torque specified by the battery manufacturer.
- Ensure that all DC cables are connected with the connecting torque specified by the battery manufacturer.

NOTICE**Damage to the battery due to incorrect settings**

The set battery parameters influence the charging behavior of the inverter. The battery can be damaged by incorrect settings of the battery type, nominal voltage and capacity parameters.

- Set the correct battery type as well as the correct values for nominal voltage and battery capacity when configuring.
- Ensure that the values recommended by the manufacturer are set for the battery (refer to the technical data of the battery in the manufacturer documentation).

3 Functions and Design

3.1 Design of a Multicluster-Box

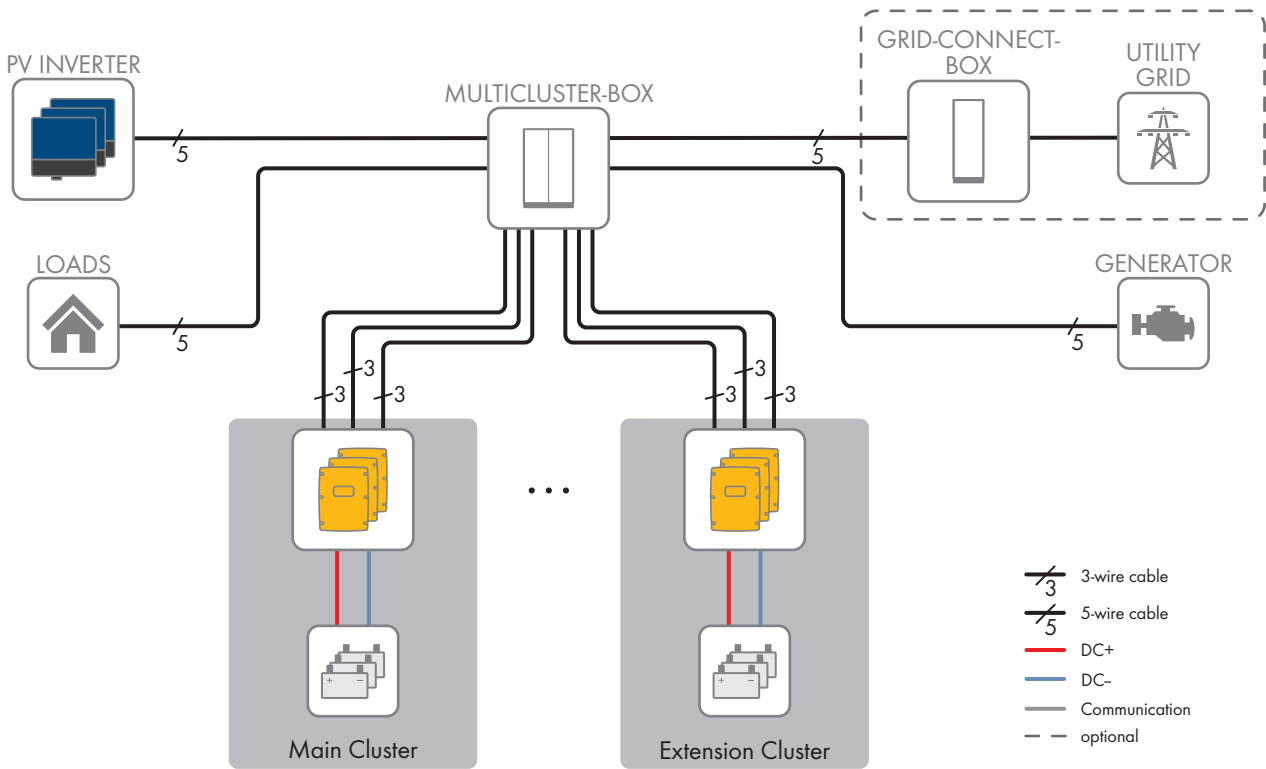


Figure 1: Principle of a multicluster system with Multicluster-Box and Grid-Connect-Box

The Multicluster-Box is the main AC distribution board in a multicluster system. The multicluster system forms an AC grid and is made up of several three-phase clusters. Three Sunny Island inverters are connected in parallel on the DC side of each cluster. The multicluster system can be set up as an off-grid system or as a system with increased self-consumption and battery-backup function.

The main cluster is the leading cluster in the multicluster system. The extension clusters are subordinate to the main cluster.

PV arrays used as an external energy source must be connected only to the Multicluster-Box. To connect the utility grid to the multicluster system, a Grid-Connect-Box must be installed.

3.2 Structures of a Multicluster System

3.2.1 Structures for Off-Grid Systems

Multicluster-Box only with Generator

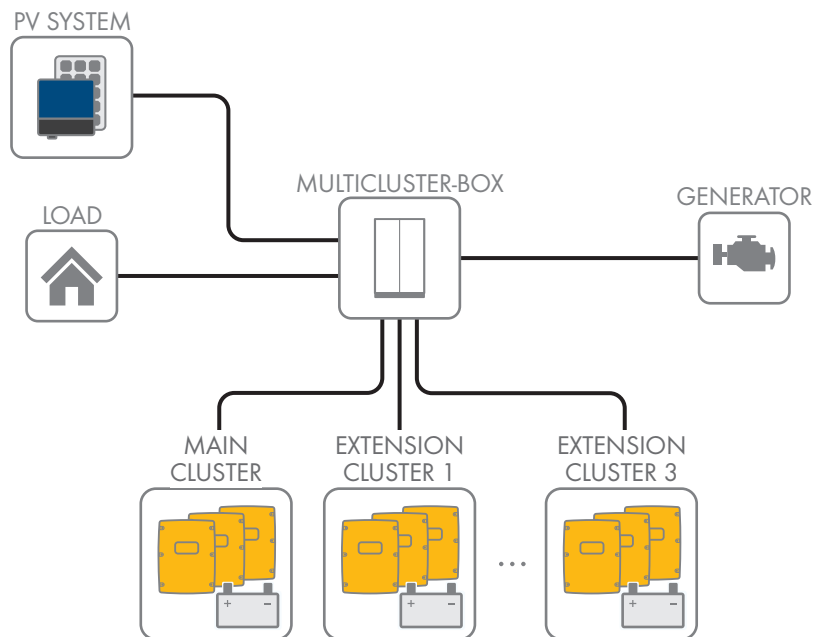


Figure 2: Principle of a multicluster system with Multicluster-Box and generator

If only the generator as external energy source is connected to the Multicluster-Box, the multicluster system must be configured via the installation assistant for **Island mode**.

Multicluster-Box with Grid-Connect-Box, Utility Grid and Generator

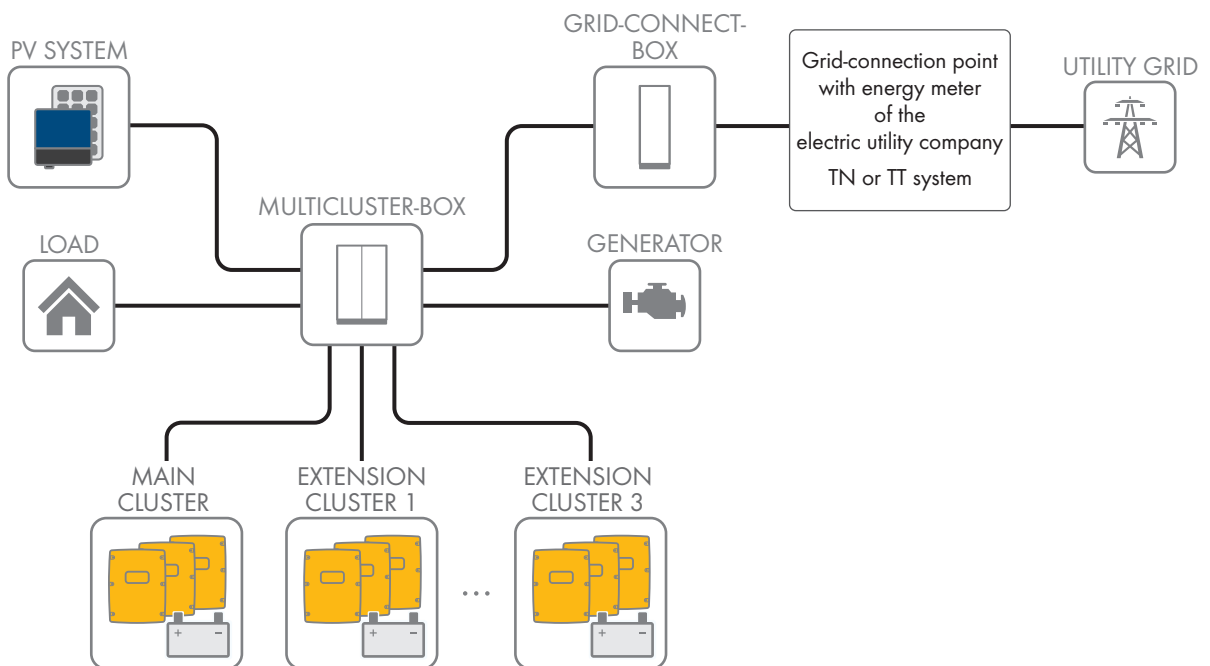


Figure 3: Principle of a multicluster system with Multicluster-Box, Grid Connect Box, utility grid, and generator

The Grid-Connect-Box enables the connection of a multicluster system to utility grids and generators. Multicluster systems with Grid-Connect-Box may not be connected to utility grids that require compliance with the European grid connection conditions in accordance with Regulation (EU) 2016/631 establishing a network code (also known as RfG).

If the utility grid only supports the generator function and no increased self-consumption is to be achieved, the multicluster system with Grid-Connect-Box must be configured via the installation assistant for **Island mode**.

Multicluster-Box only with Utility Grid

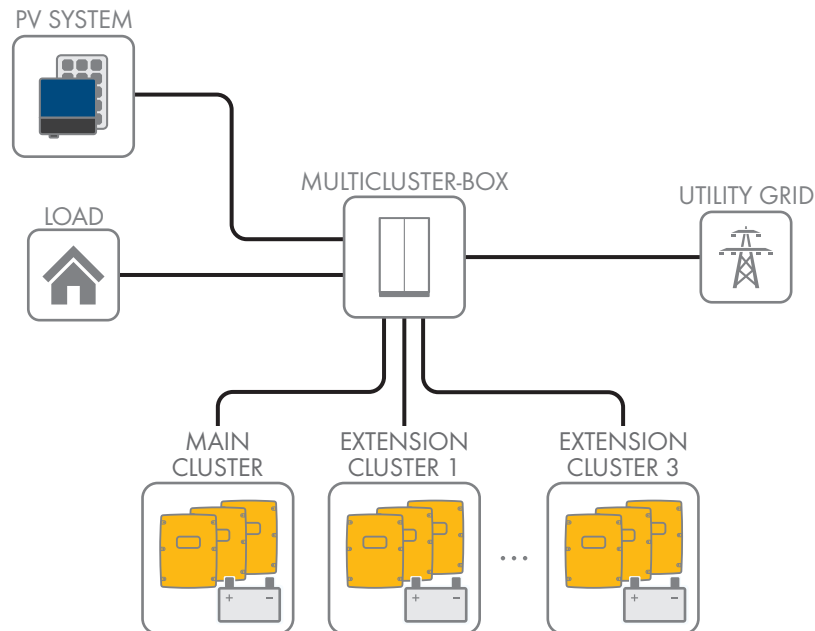


Figure 4: Principle of a multicluster system with Multicluster-Box and utility grid

If the utility grid is directly connected to the Multicluster-Box, no generator is to be installed in the multicluster system. When connecting the utility grid to the Multicluster-Box, the Multicluster-Box terminal provided for the generator must be used (see operating manual of the Multicluster-Box). The installer bears sole responsibility for the grounding configuration and the grid disconnection required for instances of grid failure. Grounding and grid disconnection must be carried out in accordance with local standards and directives and approved by the grid operator.

If the utility grid is used as the only external energy source and directly connected to the Multicluster-Box as well, the multicluster system must be configured via the installation assistant for **Island mode**

3.2.2 Structure for Systems with Increased Self-Consumption and Battery-Backup Function

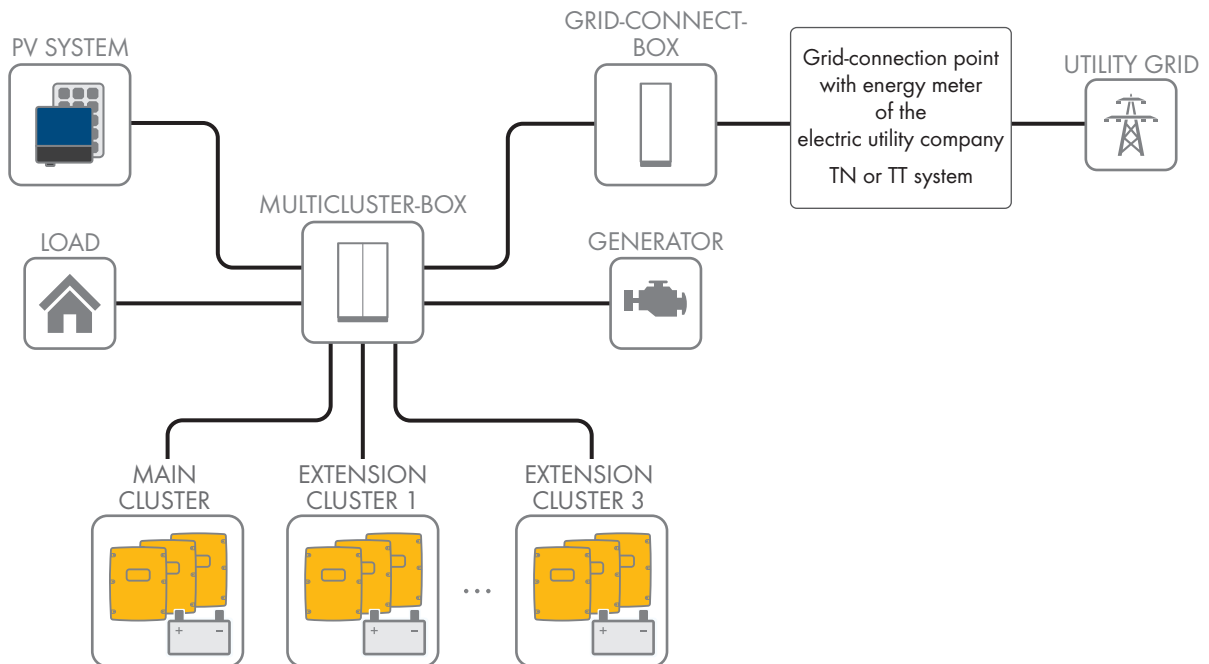


Figure 5: Principle of a multicluster system with Multicluster-Box, Grid Connect Box, utility grid, and generator

The Grid-Connect-Box enables the connection of an utility grid and a generator to one multicluster system. In doing so, the Grid-Connect-Box may only be used where the VDE-AR-N 4105 application guide for utility grids is not required.

If increased self-consumption is required, the multicluster system with Grid-Connect-Box must be configured via the installation assistant for **Grid mode**.

3.3 Off-Grid System

3.3.1 Off-Grid System Functions

Multicluster systems set up as off-grid systems can form self-sufficient utility grids fed with energy from multiple AC sources in the stand-alone grid (e.g. PV inverter) and from grid-forming AC sources (e.g. a generator). The Sunny Island forms the stand-alone grid as a AC voltage source. The Sunny Island regulates the balance between the energy that is fed in and the energy that is used and features a battery, PV array and load management system.

Battery Management

Exact determination of the state of charge is a basic requirement for the correct operation of lead-acid batteries.

The Sunny Island battery management system for lead-acid batteries is based on an exact determination of the state of charge. By combining the three most common methods for recording the state of charge, the Sunny Island reaches a measuring accuracy of more than 95%. This way, battery overcharge and deep discharge are avoided.

Another advantage of the battery management system is the very gentle charging control. Depending on the battery type and situation, it selects automatically the optimum charging strategy. This means that overcharging can be reliably prevented and that the battery can be fully charged regularly. The available charge energy is used optimally at all times (see technical information "Battery Management" at www.SMA-Solar.com).

Generator Management

The Sunny Island can synchronize with a generator and connect directly, if necessary. When the stand-alone grid is connected to the PV array, the voltage and frequency in the stand-alone grid are regulated by the PV array.

The Sunny Island generator management allows for uninterruptible connection of the stand-alone grid to the generator and uninterruptible isolation from the generator. The generator management controls the generator via a start and stop signal. A generator current control ensures that the generator always remains at the optimum operating point. The generator management allows the use of generators that have a low output power in proportion to the nominal load (see technical document "Sunny Island Generator - Whitepaper" at www.SMA-Solar.com)

Load Control

The load control enables control of the AC sources in stand-alone grids, control of a generator, and the specific disconnection of loads.

The AC sources in the off-grid system are limited in their power output by the stand-alone grid frequency. In case of excess energy, the load control system increases the power frequency of the stand-alone grid. This limits the output power of the PV inverters, for example.

If there is not enough energy available for all loads or the battery is to be preserved, load control can request energy from a generator by means of the generator management. The generator management starts the generator and the off-grid system is supplied with sufficient energy.

If no generator is present in the off-grid system or the energy is not sufficient despite the generator being available, load control turns the loads off using load shedding. All loads are shed simultaneously with one-stage load shedding. A load shedding contactor sheds the noncritical loads during the first stage with two-stage load shedding. The remaining loads are shed during the second stage only when the state of charge declines further. This can further increase the availability of the stand-alone grid for critical loads.

3.3.2 Off-Grid System Requirements

i Utility grid connection via Grid-Connect-Box

The utility grid can support or assume the function of a PV array in, for example, areas with a weak grid structure. To connect the utility grid and generator in parallel to an off-grid system, a Grid-Connect-Box must be installed.

The Grid-Connect-Box may be used only in areas where VDE-AR-N 4105 application guide does **not** apply.

The Grid-Connect-Box is always delivered with all-pole disconnection. If, during a grid failure, the technical connection requirements of the grid operator or the locally applicable standards and directives prohibit disconnection of the neutral conductor, you must deactivate the all-pole disconnection in the Grid-Connect-Box (see operating manual of the Grid-Connect-Box).

i Utility grid connection to the Multicluster-Box

If the utility grid is directly connected to the Multicluster-Box, no generator is to be installed in the multicluster system. When connecting the utility grid to the Multicluster-Box, the Multicluster-Box terminal provided for the generator must be used (see operating manual of the Multicluster-Box).

The installer bears sole responsibility for the grounding configuration and the grid disconnection required for instances of grid failure. Grounding and grid disconnection must be carried out in accordance with local standards and directives and approved by the grid operator.

3.3.3 Optional Devices and Functions

The following devices can be used optionally in an off-grid system:

Component	Description
External load-shedding contactor	Contactors controlled by the Sunny Island for isolation of loads in the multicluster system during two-level load shedding.
SMA Cluster Controller	Remote monitoring and system configuration of the off-grid system

The Sunny Island inverter offers the following functions for multicenter systems with stand-alone grid via two multifunction relays (see installation manual of the Sunny Island inverter):

Function	Description
Controlling PV arrays	A multifunction relay activates if a PV array request is received from the Sunny Island inverter's generator management system. With the multifunction relay, you can control PV arrays with an electrical remote-start function or connect a signal generator for PV arrays with no autostart function.
Controlling load-shedding contactors	A multifunction relay is activated depending on the state of charge of the battery. Depending on the configuration, you can install a one-level load shedding with one multifunction relay or a two-level load shedding with two multifunction relays. You can also adjust the thresholds for the state of charge of the battery depending on the time of day.
Time control for external processes	External processes can be time-controlled with a multifunction relay.
Display of operating states and warning messages	You can connect message devices to the multifunction relays to allow operating states and warning messages from the Sunny Island inverter to be output. One of the following operating states and warning messages can be displayed for each multifunction relay: <ul style="list-style-type: none"> • The PV array is running and is connected. • A Sunny Island displays an error message of level 2 or higher. Only the error messages within a cluster are evaluated here. • A Sunny Island displays a warning. Only the warnings within a cluster are evaluated here.
Control of a battery-room fan	The multifunction relay is activated when the charging current causes the battery to emit gasses. A connected battery room fan is switched on for at least one hour.
Control of an electrolyte pump	Depending on the nominal energy throughput, the multifunction relay is activated at least once a day.
Use of excess energy	During the constant voltage phase, a multifunction relay is activated and thus controls additional loads that can put any excess energy of AC sources in the stand-alone grid (e.g., of a PV system) to good use.

3.4 Multicenter System with Increased Self-Consumption and Battery-Backup Function

3.4.1 Principle of a System with Increased Self-Consumption and Battery-Backup Function

Multicenter systems with increased self-consumption and battery-backup function (battery-backup systems) are connected to the utility grid via a Grid-Connect-Box.

When the system with increased self-consumption and battery-backup function is connected to the utility grid, Sunny Island inverters can use the batteries for intermediate storage of PV energy. The stored PV energy can then be used by your appliances during the evening and nighttime hours. With this, electricity purchased from the grid can be reduced and self-consumption or internal power supply optimized.

The Grid Connect Box disconnects the system with increased self-consumption and battery-backup function from the utility grid during grid failure. The loads are supplied with power via the battery-backup grid without interruption. The PV system can synchronize with the system with increased self-consumption and battery-backup function and feed in. When the utility grid is available again, the system with increased self-consumption and battery-backup function synchronizes with the utility grid. Following successful synchronization, the Grid Connect Box connects the system with increased self-consumption and battery-backup function to the utility grid.

3.4.2 Requirements of VDE Application Guide 2510-2

The requirements below apply only for systems for which the following properties are all applicable:

- The system is a system with increased self-consumption (SMA Flexible Storage System) or a system with increased self-consumption and battery-backup function (battery-backup system).
- The grid operator or the locally applicable standards and guidelines require compliance with the above-mentioned Application Guide.

Currently, only the grid operators in Germany require compliance with the above-mentioned Application Guide.

In accordance with the scope of VDE application guide 2510-2, a manufacturer's system is regarded as a complete energy storage system only if products are used that have been approved by the manufacturer (see the technical information "List of Approved Batteries" at www.SMA-Solar.com). If products are used that have not been approved by SMA Solar Technology AG, the installer is deemed to be the manufacturer of the system.

The requirements of VDE application guide 2510-2 are fulfilled if the installation is carried out in the accordance with the technical documentation of the battery inverter.

3.4.3 Requirements for Systems with Increased Self-Consumption and Battery-Backup Function

i Utility grid connection via Grid-Connect-Box

The Grid-Connect-Box may be used only in areas where VDE-AR-N 4105 application guide does **not** apply.

The Grid-Connect-Box is always delivered with all-pole disconnection. If, during a grid failure, the technical connection requirements of the grid operator or the locally applicable standards and directives prohibit disconnection of the neutral conductor, you must deactivate the all-pole disconnection in the Grid-Connect-Box (see operating manual of the Grid-Connect-Box).

i Electricity supply of communication devices

During a grid failure, only the devices in the battery-backup grid are supplied with current.

- Connect the electricity supply of communication devices to the battery-backup grid.

4 Circuitry of Multicenter Systems

4.1 Connecting the Master in the Main Cluster

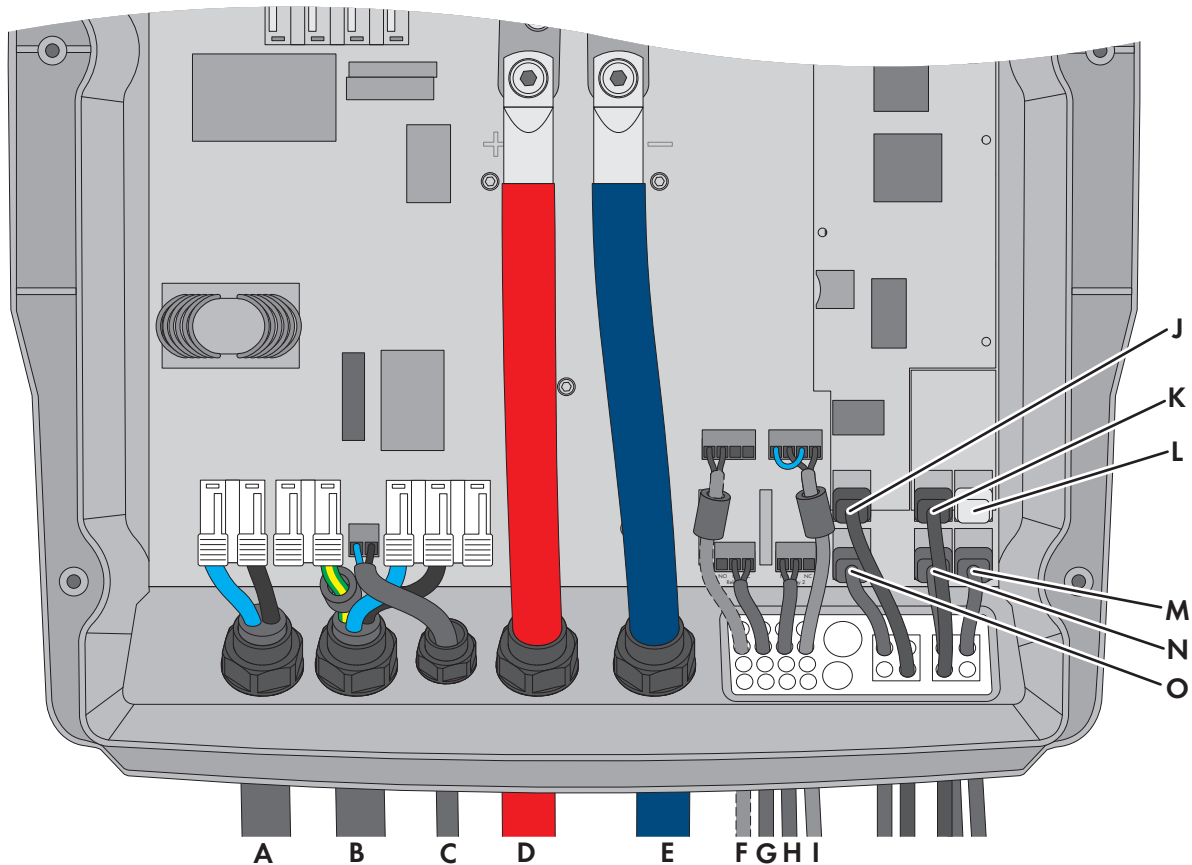


Figure 6: Connecting the master in the main cluster

Position	Designation	Description / information
A	Cable for the control voltage	Sunny Island: connection AC1 Loads/SunnyBoys terminals L and N Multicenter-Box: connection X106 terminals 1, 2 and 4 Conductor cross-section: from 1.5 mm ² to 2.5 mm ²
B	AC power cable	Sunny Island: connection to AC2 Gen/Grid terminals L, N and grounding conductor Multicenter-Box: connection X105 terminals 1, 4 and 7 Conductor cross-section: from 10 mm ² to 16 mm ² Use the ferrite included in the delivery for the PE .
C	Measuring cable for voltage measurement	Sunny Island: connection ExtVtg terminals L and N Multicenter-Box: connection X112 terminals 3 and 4 Conductor cross-section: from 1.5 mm ² to 2.5 mm ²
D	DC+ cable	Battery connection
E	DC- cable	Conductor cross-section: from 50 mm ² to 95 mm ² Cable diameters 14 mm to 25 mm Torque: 12 Nm

Position	Designation	Description / information
F	Measuring cable of the battery temperature sensor	<p>Sunny Island: connection BatTmp</p> <p>You only have to connect a battery temperature sensor if lead-acid batteries are used.</p> <p>Mount the battery temperature sensor in the middle of the battery-storage system, in the upper third of the battery cell.</p> <p>Use the ferrite included in the delivery.</p>
G	Control cable to the Multicluster-Box	<p>The control cable must be connected if a Grid-Connect-Box is installed.</p> <p>Sunny Island: connection Relay1 terminals C and NC</p> <p>Multicluster-Box: connection X112 terminals 1 and 2</p> <p>Conductor cross-section: from 1.5 mm² to 2.5 mm²</p>
H	Control cable to the Multicluster-Box	<p>Sunny Island: connection Relay2 terminals C and NO</p> <p>Multicluster-Box: connection X113 terminals 1 and 2</p> <p>Conductor cross-section: from 1.5 mm² to 2.5 mm²</p>
I	Control cable to the Multicluster-Box	<p>Sunny Island: connections DigIn+ und BatVtgOut+</p> <p>Multicluster-Box: connection X113 terminals 3 and 4</p> <p>Inside the Sunny Island, connect terminals DigIn- and BatVtgOut-.</p> <p>Conductor cross-section: from 1.5 mm² to 2.5 mm²</p> <p>The complete DC voltage range is mapped at the terminal BatVtgOut. The connection BatVtgOut is current-limited and protected against short circuits. Use the supplied ferrite for BatVtgOut.</p>
J	Speedwire network cable	Terminal ComETH
K	Data cable for the communication with the masters of the extension cluster	<p>At SI-SYSCAN.BGx terminal SysCanIn</p> <p>Master of the extension cluster: at SI-SYSCAN.BGx</p> <p>Terminal SysCanOut</p> <p>The communication bus must be equipped with a terminator on both ends.</p>
L	Terminator	<p>At SI-SYSCAN.BGx terminal SysCanOut</p> <p>The communication bus must be equipped with a terminator on both ends.</p>
M	Data cable for communication within the cluster	<p>Sunny Island: terminal ComSyncOut</p> <p>The communication bus connects the master with the slaves in each cluster and additionally with the Multicluster-Box in the main cluster.</p> <p>The communication bus must be equipped with a terminator on both ends.</p>
N	Data cable for communication within the cluster	<p>Sunny Island: terminal ComSyncIn</p> <p>Multicluster-Box: terminal ComSyncOut</p> <p>The communication bus must be equipped with a terminator on both ends.</p>

Position	Designation	Description / information
○	Measuring cable	Sunny Island: terminal BackupVtgCur Multicenter Box: terminal Mstr./L1
-	Openings in the cable support sleeves	Unused openings in the cable support sleeves of the Sunny Island must be sealed (see operating manual of the Sunny Island).

4.2 Connecting Slave 1 in the Main Cluster

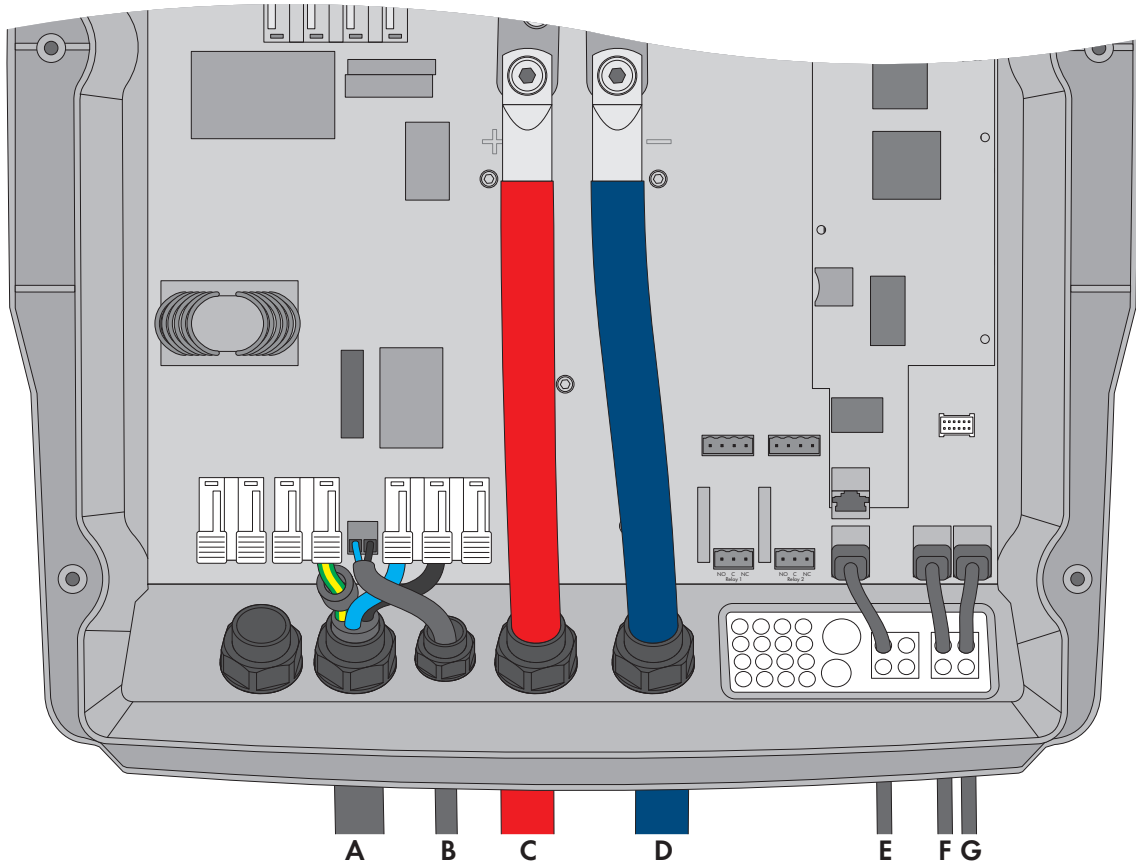


Figure 7: Connecting slave 1 in the main cluster

Position	Designation	Description / information
A	AC power cable	Sunny Island: connection to AC2 Gen/Grid terminals L, N and grounding conductor Multicenter-Box: connection X105 terminals 2, 5 and 8 Conductor cross-section: from 10 mm ² to 16 mm ² Use the ferrite included in the delivery for the PE .
B	Measuring cable for voltage measurement	Sunny Island: connection ExtVtg terminals L and N Multicenter-Box: connection X112 terminals 7 and 8 Conductor cross-section: from 1.5 mm ² to 2.5 mm ²

Position	Designation	Description / information
C	DC+ cable	Battery connection
D	DC- cable	Conductor cross-section: from 50 mm ² to 95 mm ² Cable diameters: 14 mm to 25 mm Torque: 12 Nm
E	Measuring cable	Sunny Island: terminal BackupVtgCur Multicluste r-Box: terminal Slv.1/L2
F	Data cable for the internal communication in the cluster	Sunny Island: terminal ComSyncln Master: terminal ComSync Out
G	Data cable for the internal communication in the cluster	Sunny Island: terminal ComSyncOut With slave 2: terminal ComSyncln

4.3 Connecting Slave 2 in the Main Cluster

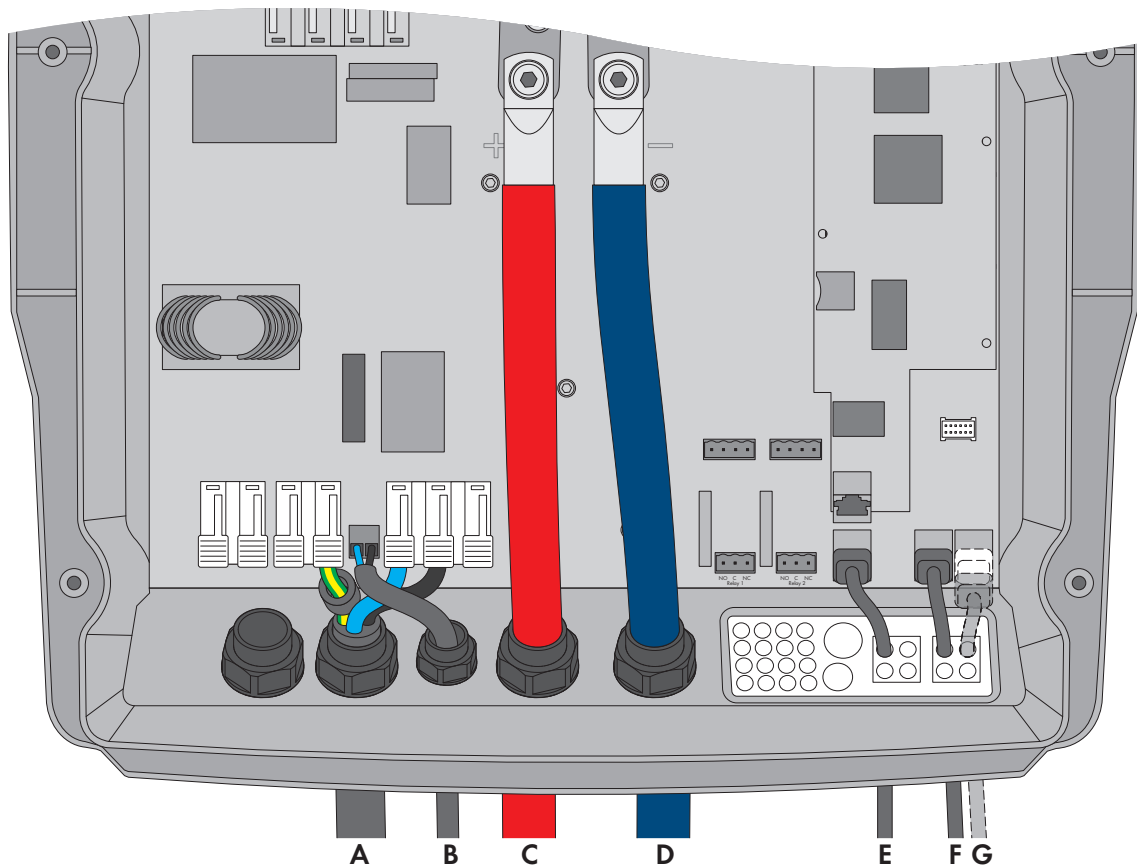


Figure 8: Connecting slave 2 in the main cluster

Position	Designation	Description / information
A	AC power cable	Sunny Island: connection to AC2 Gen/Grid terminals L, N and grounding conductor Multiclust er-Box: connection X105 terminals 3, 6 and 9 Conductor cross-section: from 10 mm ² to 16 mm ² Only use the supplied ferrite for PE .
B	Measuring cable for voltage measurement	Sunny Island: connection ExtVtg terminals L and N Multiclust er-Box: connection X112 terminals 9 and 10 Conductor cross-section: from 1.5 mm ² to 2.5 mm ²
C	DC+ cable	Battery connection
D	DC- cable	Conductor cross-section: from 50 mm ² to 95 mm ² Cable diameters: 14 mm to 25 mm Torque: 12 Nm
E	Measuring cable	Sunny Island: terminal BackupVtgCur Multiclust er-Box: terminal Slv.2/L3

Position	Designation	Description / information
F	Data cable for the internal communication in the cluster	Sunny Island: terminal ComSyncln Slave 1: terminal ComSyncOut
G	Data cable for the internal communication in the cluster	Terminal ComSyncOut A data cable must be connected to the battery only when lithium-ion batteries are used. The communication bus must be equipped with a terminator on both ends.

4.4 Connecting the Sunny Island Inverters in Extension Clusters

Function of the Sunny Island inverter	Which cables must be connected?	Where must the cables be connected?
Master in extension cluster 1/2/3	See installation - Circuitry Overview of the Multiclust er-Box	see Section 4.1, page 21
Slave 1 in extension cluster 1/2/3		see Section 4.2, page 23
Slave 2 in extension cluster 1/2/3		see Section 4.3, page 25

5 Commissioning

5.1 Commissioning Procedure

5.1.1 Commissioning Procedure for an Off-Grid System

i The inverter supports different firmware versions that are suitable for different systems.

Inverters using firmware version $\leq 2.99.99.R$ are suitable for off-grid systems and systems that are not subject to the European grid connection conditions in accordance with Regulation (EU) 2016/631 for establishing a network code (also known as RfG). In addition, inverters with firmware version $\leq 2.99.99.R$ may be used in systems that have been commissioned before April 27, 2019, and that are subject to the grid connection conditions of VDE-AR-N 4105:2011-08.

Inverters using a firmware version $\geq 3.00.00.R$ are only suitable for systems that are operated in parallel with the utility grid (e.g. SMA Flexible Storage System). The firmware version $\geq 3.00.00.R$ complies with VDE-AR-N 4105-11:2018, EN50549-1:2018, C10/11:2018 and EREC G98:2018 / G99:2018 of the European grid connection conditions in accordance with Regulation (EU) 2016/631 for establishing a network code (also known as RfG), valid from April 27, 2019 within the EU.

Inverters with a firmware version $\leq 2.99.99.R$ can be identified by the imprint **2:Off-Grid** on the box label. Inverters with a firmware version $\geq 3.00.00.R$ can be identified by the imprint **1:On-Grid** on the box label.

- Ensure that the inverter is equipped with a firmware version that are suitable for the respective system.

Procedure	See
1. Check the residual-current devices in the Multicluster-Box.*	Operating manual for the Multicluster-Box
2. If a Grid-Connect-Box has been installed, check residual-current devices in the Grid-Connect-Box.	Operating manual for the Grid-Connect-Box
3. Commission the inverter.	Sunny Island operating manual
4. Establish a connection to the user interface of the inverter. The following connection options are available to choose from: <ul style="list-style-type: none"> • Direct connection via WLAN • Direct connection via Ethernet • Connection via Ethernet in the local network 	Sunny Island operating manual
5. Log into the user interface.	Sunny Island operating manual
6. Perform basic configuration of the inverter. Please note, that the personal SMA Grid Guard code for changing the grid-relevant parameters must be available after completion of the first ten operating hours (see "Application for the SMA Grid Guard code" available at www.SMA-Solar.com).	Sunny Island operating manual
7. Set the functions of the multifunction relay via the user interface. Tip: The multifunction relays are connected based on the default values of the Sunny Island in the circuitry overviews.	Sunny Island operating manual
8. Start the system.	Sunny Island operating manual
9. Test the communication in the multicluster system	Section 5.2, page 29
10. Test the battery current sensor.	System description "Off-Grid Systems" of the Sunny Island

Procedure	See
11. Test the generator.	System description "Off-Grid Systems" of the Sunny Island
12. Commission the multifunction relays.	Section 5.3.1, page 30
13. Test the load shedding.	Section 5.3.2, page 30
14. Commission the PV system.	PV inverter documentation
15. If the PV inverters are not configured for stand-alone mode ex works, configure the country standard or country data set of the PV inverters for stand-alone mode (see the PV inverter documentation).	
16. Complete commissioning. Observe that the system data in the information sheet for Sunny Island systems must be recorded to receive services for the Sunny Island system.	System description "Off-Grid Systems" of the Sunny Island

* Prior to commissioning, ensure that the residual-current devices are tripping properly.

5.1.2 Procedure when Commissioning a System with Increased Self-Consumption and Battery-Backup Function

i The inverter supports different firmware versions that are suitable for different systems.

Inverters using firmware version $\leq 2.99.99.R$ are suitable for off-grid systems and systems that are not subject to the European grid connection conditions in accordance with Regulation (EU) 2016/631 for establishing a network code (also known as RfG). In addition, inverters with firmware version $\leq 2.99.99.R$ may be used in systems that have been commissioned before April 27, 2019, and that are subject to the grid connection conditions of VDE-AR-N 4105:2011-08.

Inverters using a firmware version $\geq 3.00.00.R$ are only suitable for systems that are operated in parallel with the utility grid (e.g. SMA Flexible Storage System). The firmware version $\geq 3.00.00.R$ complies with VDE-AR-N 4105-11:2018, EN50549-1:2018, C10/11:2018 and EREC G98:2018 / G99:2018 of the European grid connection conditions in accordance with Regulation (EU) 2016/631 for establishing a network code (also known as RfG), valid from April 27, 2019 within the EU.

Inverters with a firmware version $\leq 2.99.99.R$ can be identified by the imprint **2:Off-Grid** on the box label. Inverters with a firmware version $\geq 3.00.00.R$ can be identified by the imprint **1:On-Grid** on the box label.

- Ensure that the inverter is equipped with a firmware version that are suitable for the respective system.

Procedure	See
1. Check the residual-current devices in the Multicluster-Box.*	Operating manual for the Multicluster-Box
2. If a Grid-Connect-Box has been installed, check residual-current devices in the Grid-Connect-Box.*	Operating manual for the Grid-Connect-Box
3. Commission the inverter.	Installation manual for the Sunny Island
4. Establish a connection to the user interface of the inverter. The following connection options are available to choose from: <ul style="list-style-type: none"> • Direct connection via WLAN • Direct connection via Ethernet • Connection via Ethernet in the local network 	Sunny Island operating manual

Procedure	See
5. Log into the user interface.	Sunny Island operating manual
6. Perform basic configuration of the inverter. Please note, that the personal SMA Grid Guard code for changing the grid-relevant parameters must be available after completion of the first ten operating hours (see "Application for the SMA Grid Guard code" available at www.SMA-Solar.com).	Sunny Island operating manual
7. Test the communication in the multicluster system	Section 5.2, page 29
8. Adjust the configuration of the Sunny Island.	Section 5.4.1, page 30
9. Adjust the configuration of the PV inverters.	Section 5.4.2, page 31
10. Commission the system with increased self-consumption and battery-backup function. Observe that the system data in the information sheet for Sunny Island systems must be recorded to receive services for the Sunny Island system.	Section 5.4.3, page 31
11. To use PV system monitoring, register your multicluster system in Sunny Portal.	Section 5.4.4, page 32

* Prior to commissioning, ensure that the residual-current devices and tie switches are tripping properly.

5.2 Testing Communication in the Multicluster System

1. Activate the user interface of the inverter (see the inverter operating manual).
2. Log in as Installer.
3. Activate the communication test on any master within the multicluster system:
 - Access the Sunny Island user interface for the selected master (see operating manual of the Sunny Island).
 - Log in as Installer.
 - Set the parameter **Activation of communication test between the clusters** to **On**.
4. Check the status of the communication test on each master within the multicluster system. For this, execute the following steps:
 - Access the Sunny Island user interface for the selected master (see operating manual of the Sunny Island).
 - Log in as Installer.
 - Select the parameter **Status of the communication test** and read off the value.
 - The parameter **Status of the communication test** has the value **OK**. The communication test is completed on the respective master.
5. If the parameter **Status of the communication test** has the value **Wait** on a master in the multicluster system, carry out the following steps:
 - Ensure that the cable length for the multicluster communication does not exceed the maximum value (see operating manual of Sunny Island).
 - Ensure that all cables of the multicluster communication are correctly connected (see operating manual of the Sunny Island).
 - Ensure that the terminators for the multicluster communication are correctly inserted (see operating manual of the Sunny Island).
6. If the parameter **Status of the communication test** has the value **OK** on each master in the multicluster system, disable the communication test:
 - Access the Sunny Island user interface for the selected master (see operating manual of the Sunny Island).

- Log in as Installer.
- Set the parameter **Activation of communication test between the clusters** to **Off**.

5.3 Commissioning an Off-Grid System

5.3.1 Commissioning the Multifunction Relays

In multicluster systems with MC-BOX-12.3-20, multifunction relays 1 and 2 in the master of the main cluster and multifunction relay 2 in slave 1 of the main cluster are set permanently. Therefore, optional components and functions can only be controlled via Sunny Island inverters in the extension clusters.

- Set the functions of the multifunction relays in the Sunny Island inverters of the extension clusters (see operating manual of the Sunny Island inverter).

5.3.2 Testing the Load Shedding

Requirements:

- The additional load-shedding contactor is connected to a multifunction relay in the master of the extension cluster.
- The battery inverter must be in operation (for information on starting the operation see the operating manual of the inverter).

Procedure:

1. Activate the user interface of the inverter (see the inverter operating manual).
2. Log in as Installer.
3. Select the parameter **Device > Multifunction relay > Operating mode > Operating mode of multifunction relay**.
4. Note the parameter value of the load-shedding contactor.
5. Set the parameter of the load-shedding contactor to **Off**.
6. If the load-shedding contactor does not discard the loads, carry out the following steps:
 - Check the configuration and eliminate the fault.
 - Ensure that the multifunction relay is correctly wired.
7. Set the load-shedding contactor parameter to the setting that has been noted down.

5.4 Commissioning a System With Increased Self-Consumption and Battery-Backup Function

5.4.1 Adjusting the Configuration of the Sunny Island

If multicluster systems are used with the Grid-Connect-Box for increased self-consumption and as a battery-backup system, the following must be taken into account: Multicluster systems with Grid-Connect-Box may not be connected to utility grids that require compliance with the European grid connection conditions in accordance with Regulation (EU) 2016/631 establishing a network code (also known as RfG).

Procedure:

1. For the planned installation site, check whether parameters of the PV inverter for grid monitoring of the Sunny Island must be set and adjusted.
2. Check the settings with your grid operator.
3. Access the Sunny Island user interface (see user manual of the Sunny Island).
4. Log in as Installer.

5. Select the parameter **Grid Monitoring > Grid monitoring > Country standard > Country standard set** and set it to the value **DE VDE-AR-N4105-MC**.
6. To adjust the parameters for grid monitoring on the Sunny Island, carry out the following steps:
 - Enter the SMA Grid Guard Code (see installation manual of the Sunny Island).
 - Adjust the parameters for grid monitoring as agreed with the grid operator (see user manual of the Sunny Island). As a result, the parameter value is changed from **Grid Monitoring > Grid monitoring > Country standard > Country standard set** to **SMA Adjusted-MC**.

5.4.2 Adjusting the Configuration of the PV Inverters

In systems with increased self-consumption and battery-backup function, the active power of the PV inverters should be controlled frequency-dependent. The manner of the frequency-dependent active power limitation complies with the locally applicable standards and directives.

Requirements:

- The firmware version of the PV inverters must support the frequency-dependent control of active power (for "PV inverters," see the planning guidelines "'SMA Flexible Storage System with Battery Backup Function" at www.SMA-Solar.com).

Procedure:

1. For the planned installation site, check which country data set of the PV inverter corresponds to the grid operator's requirements and supports frequency-dependent regulation of the active power.
2. Ensure that the country data set has been configured correctly at the PV inverter.

5.4.3 Commissioning the System with Increased Self-Consumption and Battery-Backup Function

i The intermediate storage of PV energy is activated automatically.

Regarding the system with increased self-consumption and battery-backup function, the parameter **Functions for grid/offgrid operation** must be set to **Functions for grid operation** during basic configuration (see Section 5.1.2, page 28). The intermediate storage of PV energy is thereby activated automatically.

i Deactivation of the intermediate storage of PV energy during certain charging procedures

When using lead-acid batteries, the Sunny Island carries out full and equalization charges on a regular basis (see technical information "Battery Management" at www.SMA-Solar.com). As a result, the service life of the battery is increased. During full and equalization charges, the intermediate storage of PV energy is deactivated and electricity may have to be purchased to perform the full and equalization charges.

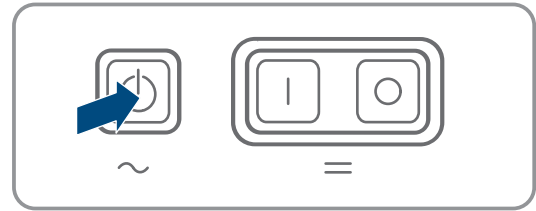
Requirements:

- The preparations for the commissioning at the Multicluster-Box must be completed.
- The preparations for commissioning at the Grid-Connect Box must be completed (see the operating manual for the Multicluster-Box and operating manual for the Grid-Connect-Box).
- The function of the residual-current devices and the tie switches must be checked (see the operating manual for the Multicluster-Box and operating manual for the Grid-Connect-Box).
- The basic configuration of the Sunny Island must be implemented for **Island mode**.

Procedure:

1. Attach a clearly visible information about the installed battery-backup system to the AC main distribution board.
2. Commission the PV system.
3. To deactivate the intermediate storage of PV energy, select in the display group on the master of the main cluster **Device > device > Self-consumption** the parameter **Rise in self-consumption switched on** and set to **No**.

4. Press the start-stop button on the master of the main cluster and hold it until a signal sounds.



5. In order to receive service assignments for the Sunny Island system, all system data must be recorded in the information sheet for Sunny Island systems and made available to Service (for information sheet see www.SMA-Solar.com).

5.4.4 Registering the Multicluster System in Sunny Portal

To use PV system monitoring, register your multicluster system in Sunny Portal powered by ennexOS.

Requirements:

- A SMA Data Manager M/L must be installed in the multicluster system.

Procedure:

- Register the SMA Data Manager M/L in Sunny Portal (see operating manual of the communication product).

6 Contact

If you have technical problems with our products, please contact the SMA Service Line. The following data is required in order to provide you with the necessary assistance:

- Type of system installed (e.g. three-phase single-cluster system)
- Battery inverter:
 - Device type
 - Quantity
 - Serial numbers
 - Firmware version
 - Event message
 - File with event messages for troubleshooting
 - Service files for troubleshooting
- Type of the communication products connected
- Type and size of additional energy sources
- Type, power and maximum current for the generator (if present)
- Batteries:
 - Type
 - Nominal capacity and nominal voltage (with lead-acid batteries)

Deutschland	SMA Solar Technology AG	Belgien	SMA Benelux BVBA/SPRL
Österreich	Niestetal	Belgique	Mechelen
Schweiz	Sunny Boy, Sunny Mini Central, Sunny Tripower, Sunny Highpower: +49 561 9522-1499	België	+32 15 286 730
	Monitoring Systems (Kommunikationsprodukte): +49 561 9522-2499	Luxemburg	for Netherlands: +31 30 2492 000
	Hybrid Controller: +49 561 9522-3199	Luxembourg	SMA Online Service Center: www.SMA-Service.com
	Sunny Island, Sunny Boy Storage, Sunny Backup: +49 561 9522-399	Nederland	
	Sunny Central, Sunny Central Storage: +49 561 9522-299	Česko	SMA Service Partner TERMS a.s.
	SMA Online Service Center: www.SMA-Service.com	Magyarország	+420 387 6 85 111
		Slovensko	SMA Online Service Center: www.SMA-Service.com
		Türkiye	SMA Service Partner DEKOM Ltd. Şti. +90 24 22430605
			SMA Online Service Center: www.SMA-Service.com
France	SMA France S.A.S. Lyon +33 472 22 97 00	Ελλάδα	SMA Service Partner AKTOR FM.
	SMA Online Service Center : www.SMA-Service.com	Κύπρος	Αθήνα +30 210 8184550
			SMA Online Service Center: www.SMA-Service.com

España Portugal	SMA Ibérica Tecnología Solar, S.L.U. Barcelona +34 935 63 50 99 SMA Online Service Center: www.SMA-Service.com	United Kingdom	SMA Solar UK Ltd. Milton Keynes +44 1908 304899 SMA Online Service Center: www.SMA-Service.com
Italia	SMA Italia S.r.l. Milano +39 02 8934-7299 SMA Online Service Center: www.SMA-Service.com	Australia	SMA Australia Pty Ltd. Sydney Toll free for Australia: 1800 SMA AUS (1800 762 287) International: +61 2 9491 4200
United Arab Emirates	SMA Middle East LLC Abu Dhabi +971 2234 6177 SMA Online Service Center: www.SMA-Service.com	India	SMA Solar India Pvt. Ltd. Mumbai +91 22 61713888
ไทย	SMA Solar (Thailand) Co., Ltd. กรุงเทพฯ +66 2 670 6999	대한민국	SMA Technology Korea Co., Ltd. 서울 +82-2-520-2666
South Africa	SMA Solar Technology South Africa Pty Ltd. Cape Town 08600SUNNY (08600 78669) International: +27 (0)21 826 0699 SMA Online Service Center: www.SMA-Service.com	Argentina Brasil Chile Perú	SMA South America SPA Santiago de Chile +562 2820 2101
Other coun- tries	International SMA Service Line Niestetal 00800 SMA SERVICE (+800 762 7378423) SMA Online Service Center: www.SMA-Service.com		

ENERGY
THAT
CHANGES

