

eMOBILITY GATEWAY



MENNEKES eMobility Gateway is responsible for the intelligent networking of MENNEKES charging systems and for connection to backend systems.

Variants

OCCP modem

Load management with ACU

eMobility Gateway

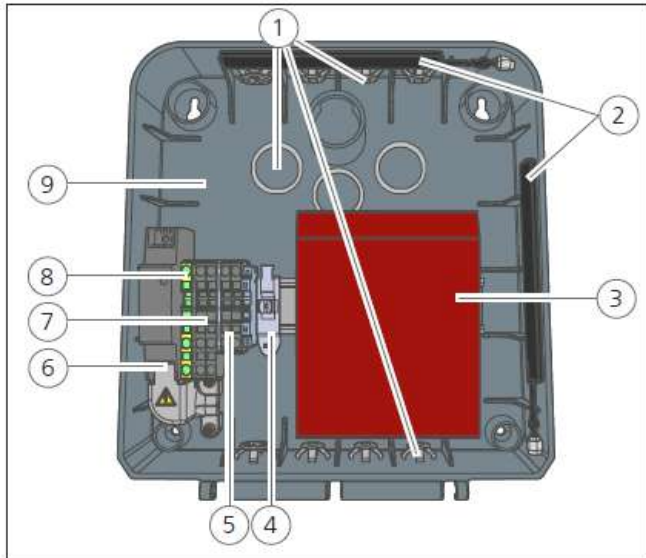
| | Order no. |
|-----------------------------|-----------|
| simultaneous locking | 310561 |
| varying locking | 310551 |

Productfeatures

- Connection up to 16 charging points via RS485
- Communication to the backend via mobile network or LAN via OCPP (Open-Charge-Point-Protocol)
- 2 integrated LTE-antenna for optimal communication
- Connection terminals for bus participants (SCUs)
- For a combined connection of different MENNEKES charging systems (e.g. Premium ground- or wall- mounted charging stations, Amtron® Premium)
- Integrated Load-Management
 - Distribution of the maximum available charging current
 - Ensure adequate supply of connected vehicles (minimum charging current)
 - Avoid expensive power peaks
 - Optional: Additional possibility to reduce the maximum connection current via an external input (only possible with the additional exchange-set).
- Mounting material and cable entries enclosed
- Robust and lockable enclosure für stationary mounting in indoor and outdoor areas

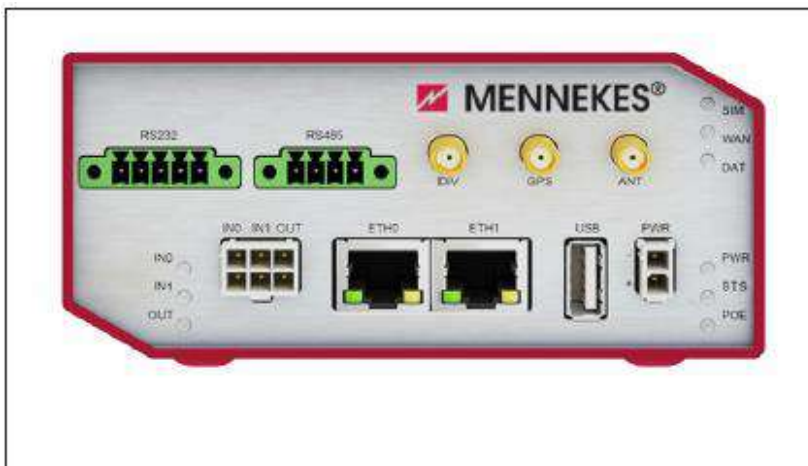
Assembly

Layout Gateway



1. Cable entries
2. Antennas
3. ACU V4
4. Screen terminal
5. Bus terminals
6. Mains connection
7. Clamp 1 and 2 for RS485-Bus
8. Clamp for protective conductor (PE)
9. Housing bottom part

Layout ACU



Connection:

- RS232: Bus
- RS485: Bus
- ETH0: LAN
- ETH1: LAN
- IN0/ IN1/ OUT: Downgrade-input

Anzeigen:

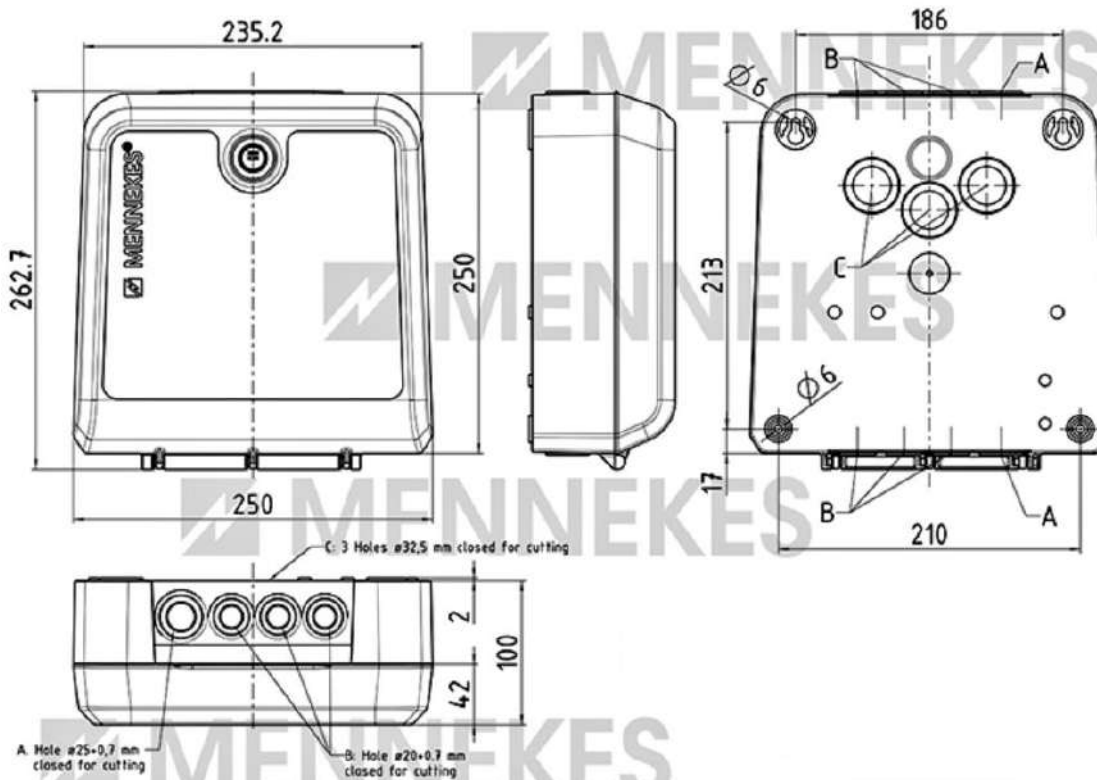
- SIM: GPRS status
- WAN: Internet connection
- DAT: Data transmission via antenna
- PWR: Power (operational)
- STS: Instrument status

Technical data

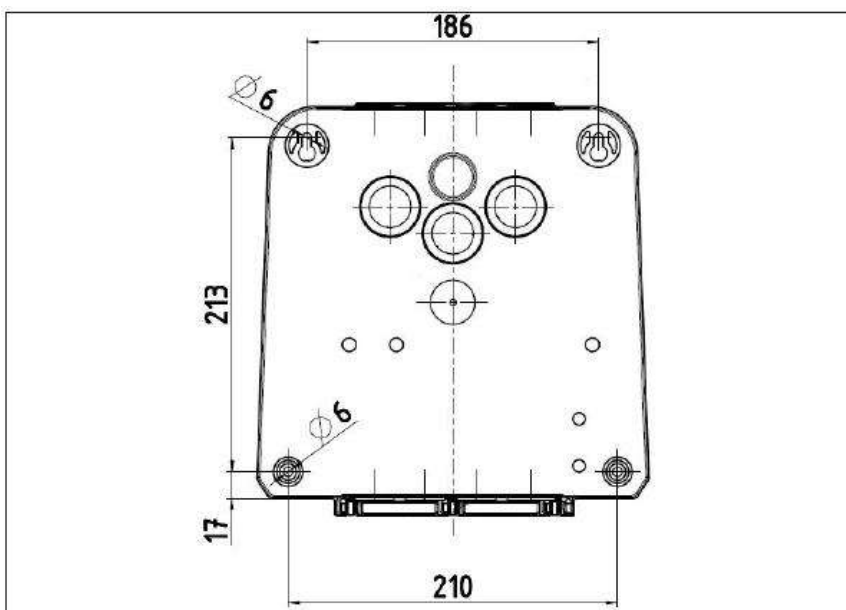
| Type-dependent data | 310551 | 310561 |
|--|---|----------------------|
| Locking enclosure | varying locking | simultaneous locking |
| Rated voltage U_N [V] AC \pm 10% | 230 | |
| Rated frequency f_N [Hz] | 50 | |
| Rated current I_{rA} [A] | 0,5 | |
| Maximum backup fuse [A] | 6 | |
| Earthing system | TN / TT | |
| Degree of protection | IP 54 | |
| Protection class | II with functional earthing | |
| Pollution degree | 3 | |
| Dimension H x B x T [mm] | 250 x 250 x 100 | |
| Weight [kg] | 1,7 | |
| Condition of installation | Stationary equipment | |
| Mounting method | Wall mounted | |
| Maximum cable cross-section at the terminals | rigid max. 2,5 mm ² flexible max. 2,5 mm ² | |
| Terminal RS 485-Bus | rigid 0,08 - 6 mm ² flexible 0,08 - 4 mm ² (2 x 2 connection points and 2 shield connections) | |

| Environmental conditions | |
|-------------------------------------|-----------------------------|
| Ambient air temperature | -25...+40 °C |
| Average temperature within 24 hours | < 35 °C |
| Storage temperature | -25...+40°C |
| Altitude | max. 2000m above sea level |
| Relative humidity | max. 95 % (non- condensing) |

Dimensions [mm]



Mounting Distance [mm]



Distributed in the UK exclusively by:

**Drivenergy Ltd
The Innovation Centre
Trevenson Road
Pool
REDRUTH TR15 3PL**

**Phone: 0800 242743
info@drivenergy.uk**

www.drivenergy.uk

MENNEKES

Elektrotechnik GmbH & Co. KG

Aloys-Mennekes-Straße 1
57399 KIRCHHUNDEM
GERMANY

Phone: + 49 2723 41-1

Fax: + 49 2723 41-214

info@MENNEKES.de

www.MENNEKES.com

www.chargeupyourday.com