

PROTECTIVE COVER AMTRON FOR STAINLESS STEEL COLUMN



MENNEKES protective covers AMTRON are designed for private and semi-public use

Nicht für den AMTRON Compact geeignet

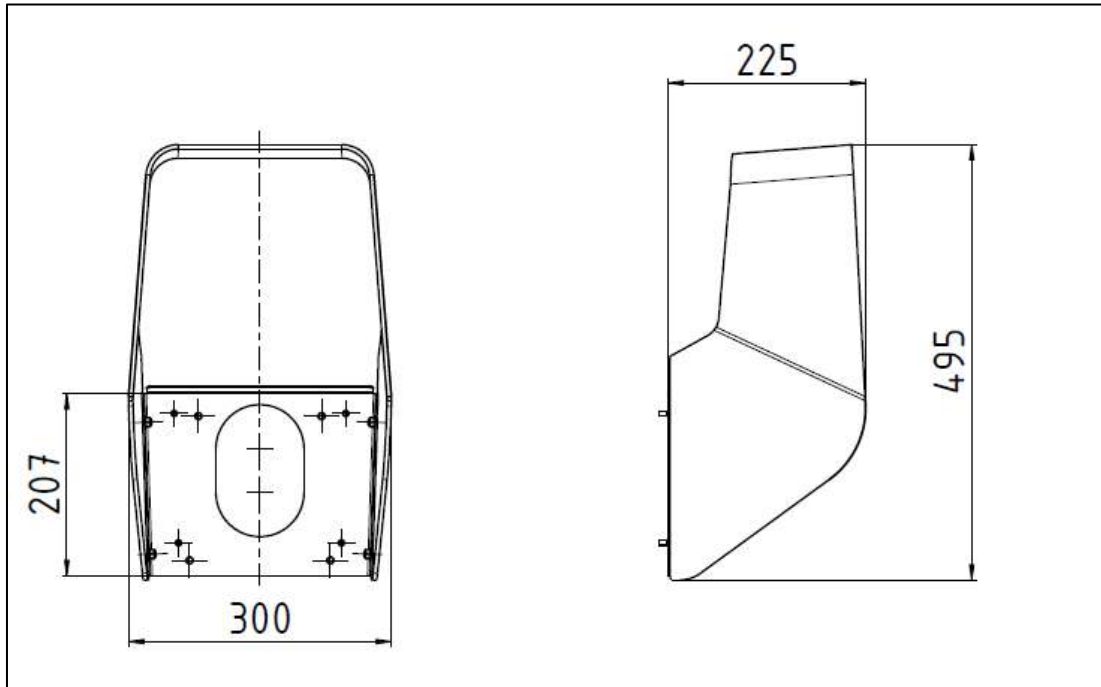
Technical data

Part number	18559
Item description	Protective cover AMTRON for stainless steel column*
Dimensions H x W x D	495 x 300 x 240 mm
Weight	about 9 kg
Material	AISI 304

Connection	
Setting up	Fastening to MENNEKES stainless steel column : 18558 & 18566

*Delivery without AMTRON charging system and stainless steel column

Dimensions [mm]



Distributed in the UK exclusively by:

**Drivenergy Ltd
The Innovation Centre
Trevenson Road
Pool
REDRUTH TR15 3PL**

**Phone: 0800 242743
info@drivenergy.uk**

www.drivenergy.uk

MENNEKES

Elektrotechnik GmbH & Co. KG

Aloys-Mennekes-Straße 1
57399 KIRCHHUNDEM
GERMANY

Phone: + 49 2723 41-1

Fax: + 49 2723 41-214

info@MENNEKES.de

www.MENNEKES.de

www.chargeupyourday.de