



CHARGING STATION AMEDIO PROFESSIONAL+

CHARGING STATION FOR ELECTRIC VEHICLES



MENNEKES charging stations for public and semi-public use

Variants

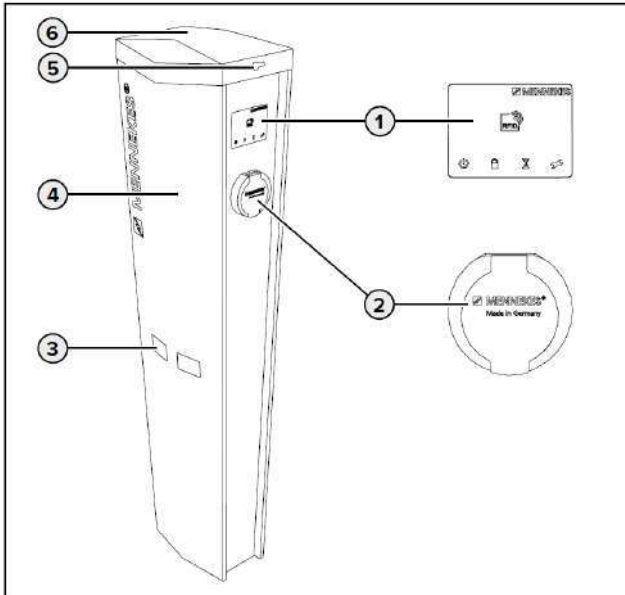
			PLC communication acc. to ISO 15118
3G / 4G modem		3G / 4G modem	
MID counter		MID counter	
RFID system		RFID system	
Personal and line protection		Personal and line protection	
DC-leakage detection		DC-leakage detection	
LED status display		LED status display	
AMEDIO Professional+ 22		AMEDIO Professional+ PnC 22	
Charging socket type 2 (hinged lid)			
	Order no.		Order no.
22 kW	140 802 412	22 kW	140 822 412

These products are not marketed in Germany.

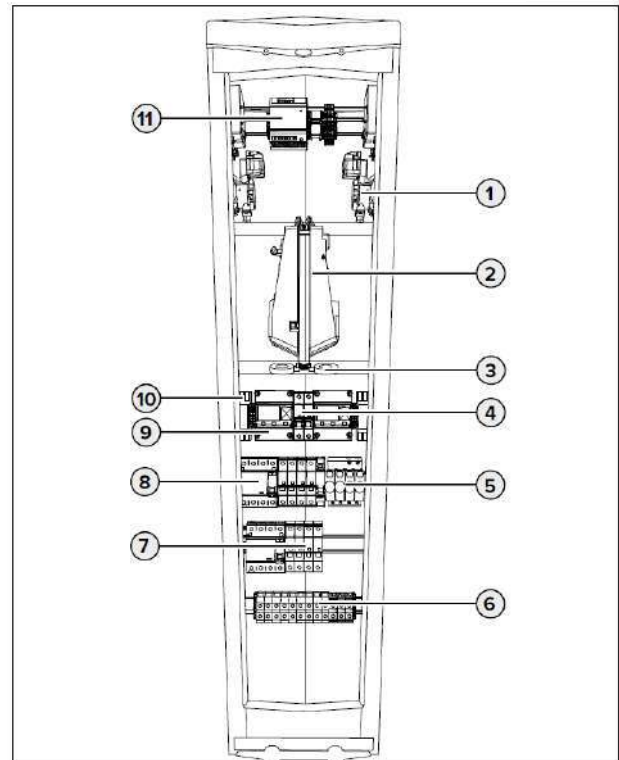
Product features

- Overall
 - Charging mode 3 acc. to IEC 61851
 - Vehicle connectors and charging socket acc. to IEC 62196
 - 2x charging socket type 2 (mode 3) with hinged lid
 - Charging capacity up to 22kW
 - MID certified energy meter
 - Unlocking function in case of grid failure with type 2 (mode 3)
 - Status information through LED info bar
 - Ready wired for installation
- Authentication
 - RFID card (MIFARE classic and MIFARE DESFire)
 - Autorisation via backend system (e.g. via SMS)
- Communication / Networking
 - Integrated wireless modem (Micro-SIM) for mobile radio standards 4G (LTE), 3G (UMTS) and 2G (GSM)
 - Compatible with OCPP 1.5 and OCPP 1.6
 - Powerline modem (PLC) for communication according to ISO 15118 (only for Plug & Charge variants)
- Functional range
 - System monitoring
 - Loadmanagement
- Personal, line and overvoltage protection
 - Integrated RCD (Type A) and MCB
 - DC leakage detection > 6mA
 - Overvoltage protection
- Enclosure
 - Enclosure made of black sheet metal, galvanized and powder-coated
 - Lockable plastic cover with integrated profile half cylinder

Assembly

External view


1. LED info bar with RFID reader
2. Charging socket (mode 3) with hinged lid
3. Counter window
4. Front plate
5. Lock for unlocking the cover
6. Cover

Inside view


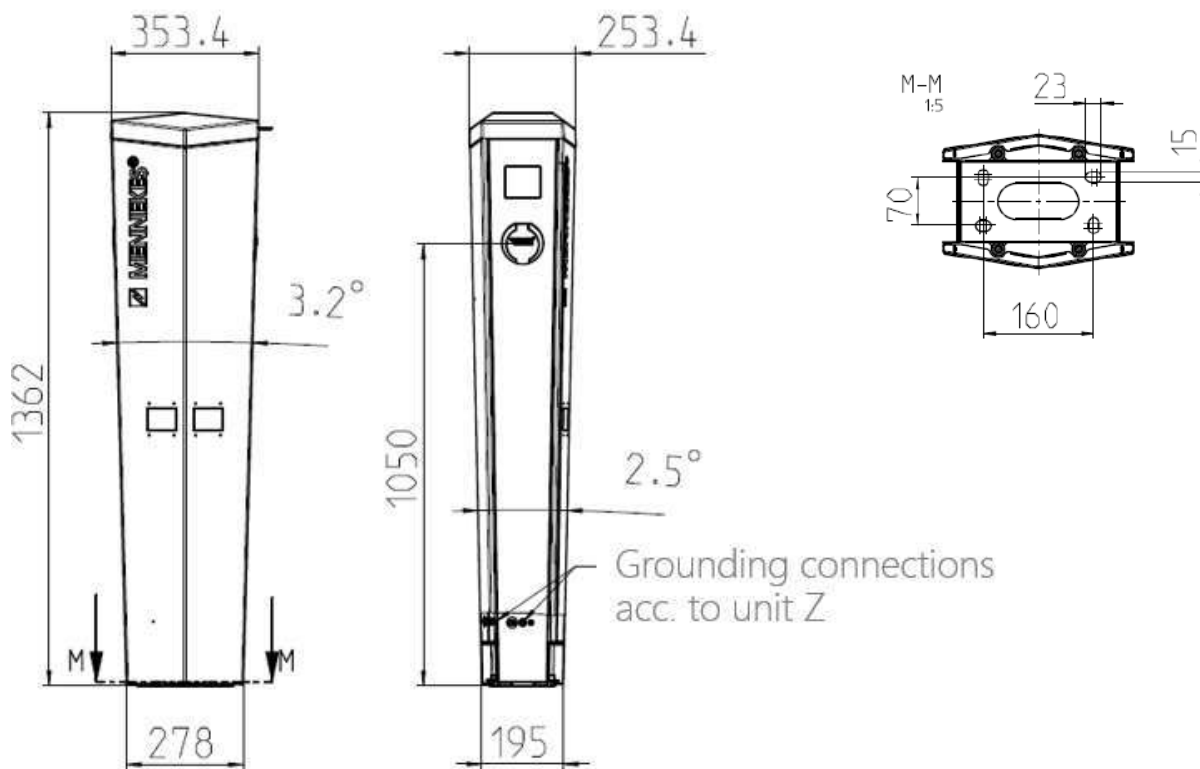
1. Charging socket
2. MENNEKES ECU
3. Differential current transformer
4. Control circuit fuse
5. Overvoltage protection
6. Connection terminals for mains connection
7. MCB
8. RCD
9. Calibrated energy meter (MID licence)
10. Phase sequence measuring relay
11. Power supply unit

Technical data

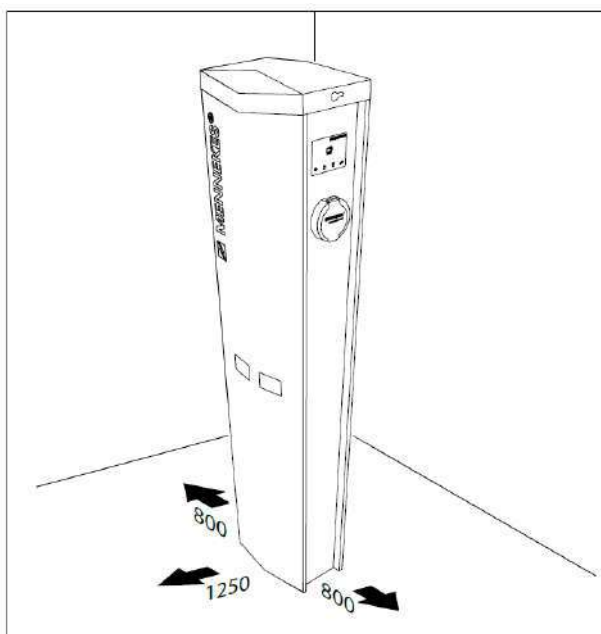
Type-dependent data		AMEDIO Professional+ 22	AMEDIO Professional+ PnC 22
Rated voltage U_N [V] AC $\pm 10\%$		400	
Rated frequency f_N [Hz]		50	
Rated Current I_{nA} [A]		63	
Max. back-up fuse [A]		100	
Max. charging capacity mode 3 [kW]		2 x 22	
Rated current of charging point mode 3 I_{nC} [A]		32 – 1 / 3 ph	
Terminal strip supply line	Nominal cross section	5 x 2 x 35 mm ²	
	Terminal area	rigid 1,5 x 50 mm ² flexible 1,5 x 50 mm ² flexible with wire end ferrules 1,5 - 35	
	Tightening torque	3,2 – 3,7 Nm	
Rated insulation voltage U_i [V]		500	
Rated impulse withstand voltage U_{imp} [kV]		4	
Rated conditional short-circuit current I_{cc} [kA]		10	
Rated diversity factor RDF		1	
Earth system		TN / TT	
EMC classification		A + B	
Protection class		I	
Degree of protection		IP 54	
Overvoltage category		III	
Resistance to mechanical impact		IK 10	
Pollution degree		3	
Setting up		outdoor	
Condition of installation		stationary	
Usage		AEVCS	
Mounting method		floor-mounted	
Dimensions H x W x D [mm]		1362 x 352 x 252	
Weight [kg]		45 - 50	
Personal protection (RCCB)		40/0,03A, 4p, type A	
Line protection (MCB)		32A, 3p+N, characteristic C	
Control fuse (MCB)		6A, 1p+N, characteristic B	
Load contactor		32 A, 3p+N	
Standard		IEC 61851, DIN IEC / TS 61439-7	

Environmental conditions	
Ambient temperature	-25...+40 °C
Average temperature within 24 hours	< 35 °C
Altitude	Max. 2000m above the sea
Relative humidity	Max. 95 % (non-condensing)

Dimensions [mm]



Mounting distance [mm]





Iris Hellas
Technology Innovations
www.irishellas.com

MENNEKES

Elektrotechnik GmbH & Co. KG

Aloys-Mennekes-Straße 1
57399 KIRCHHUNDEM
GERMANY

Phone: + 49 2723 41-1
Fax: + 49 2723 41-214
info@MENNEKES.de

www.MENNEKES.com

www.chargeupyourday.com

www.chargeupyourday.de