

AMTRON® START E, STANDARD E, BASIC E/R



Iris Hellas
Technology Innovations
www.irishellas.com

WALLBOX FOR ELECTRIC VEHICLES



MENNEKES AMTRON® designed for private and semi-public use

Variants

	Key switch	Key switch	Key switch	
		Calibrated digital energy meter	Calibrated digital energy meter	
			Personal protection	
LED status display Stop button	LED status display Reset function button	LED status display Reset function button	LED status display Multifunction button	
Start E	Standard E	Basic E	Basic R	
Charging socket type 2 (version „T2“)				
Order no.	Order no.	Order no.	Order no.	Order no.
3,7 kW 11 kW	3,7 / 7,4 kW 11 / 22 kW	3,7 / 7,4 kW 11 / 22 kW	11 kW	
1350400 1350401	1358400 1358401	1353400 1353401	1353451	
Charging socket with shutter (version „T2S“)				
Order no.	Order no.	Order no.	Order no.	Order no.
3,7kW 11 kW	3,7 / 7,4kW 11 / 22 kW	3,7 / 7,4 kW 11 / 22 kW	3,7 / 7,4 kW 11 kW	
1340680 1340681	1358600 1358601	1353600 1353601	1343680 1343681	
Permanently connected charging cable with connector type 2 (version „C2“)				
Order no.	Order no.	Order no.	Order no.	Order no.
3,7 kW 22 kW	7,4 kW 22 kW	7,4 kW 22 kW	22 kW	
1350200 1350202	1358203 1358202	1353203 1353202	1353252	
Permanently connected charging cable with connector type 1 (version „C1“)				
Order no.	Order no.	Order no.	Order no.	Order no.
3,7 kW	3,7 kW	3,7 kW		
1350100	1358100	1353100		

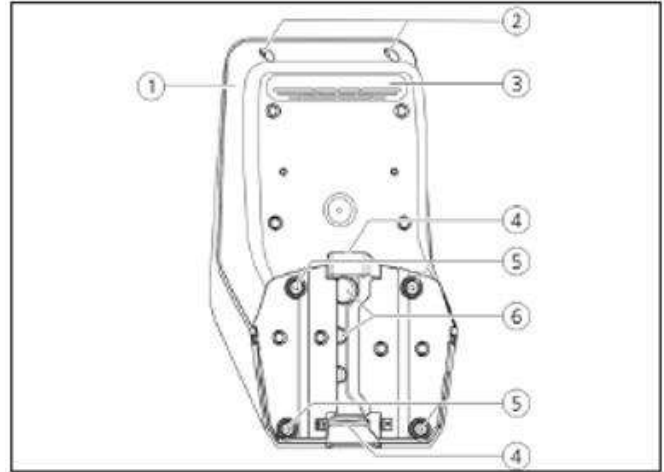


Product features

- Charging acc. Mode 3 (IEC 61851)
- Vehicle connectors and charging socket acc. IEC 62196
- Integrated cable suspension
- Charging capacity up to 22kW
- Versions:
 - Charging socket type 2
 - Charging socket with shutter
 - Permanently connected charging cable with connector type 2 (7.5m length)
 - Permanently connected charging cable with connector type 1 (7.5m length)
- Multifunction button
 - Stop function (adjustable parameters; deactivated by default)
 - Reset function
 - Re-activating of RCD (only with integrated RCD)
- Status information through LED info bar
- Unlocking function in case of power failure (only for devices with charging socket type 2)
- Enclosure made of AMELAN®
- Ready wired for installation

Assembly

Front view

Rear view


1. Multifunction button or stop button ¹⁾
2. LED Info bar
3. Fastening screws für upper housing part
4. Upper enclosure section
5. Energy meter with inspection window ²⁾
6. Front panel
7. Key switch ³⁾
8. Charging socket type 2 with hinged lid ⁴⁾ or shutter ⁵⁾
9. Pre-cut recess for supply cable /cable duct

1. Base part
2. Fastening screws for upper housing part
3. Passive ventilation
4. Recess for supply line/ cable duct
5. Fastening holes
6. Cable entries

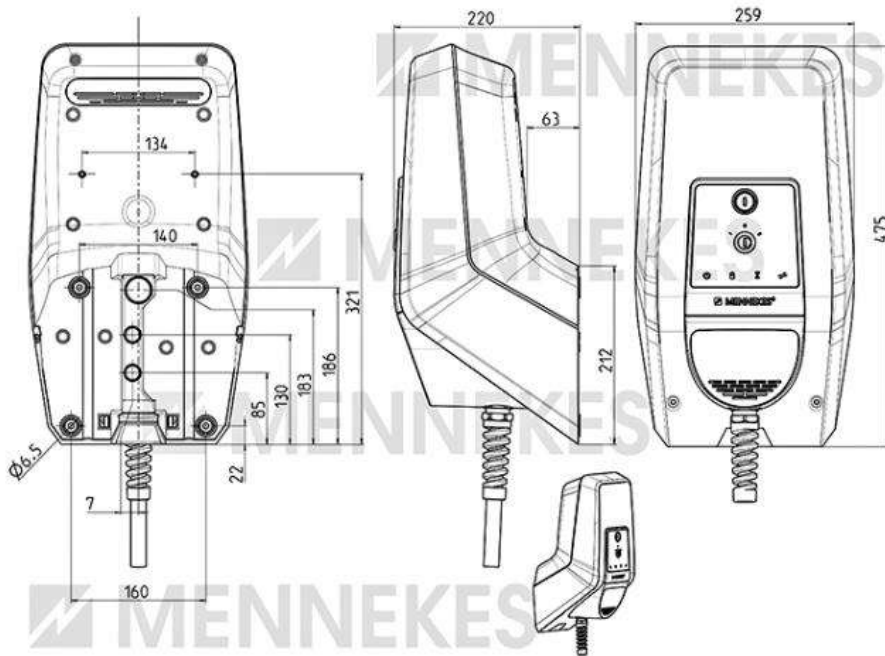
- 1) Multifunktion button only for Basic R variant, stop button only for Start E variant, reset funktion for Standard E and Basic E variant,
- 2) Only for Basic variants
- 3) Not for Start E variant
- 4) Only for version „T2“
- 5) Only for version „T2S“

Technical data

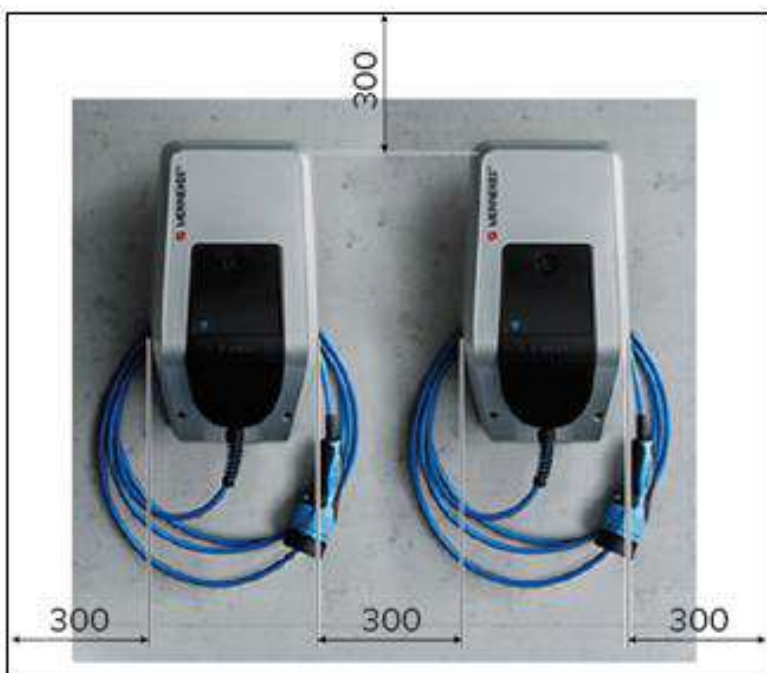
Type-dependent data		3,7	7,4	11	22
Rated voltage U_N [V] AC $\pm 10\%$		230	230	400	400
Rated frequency f_N [Hz]		50			
Rated Current I_{nA} [A]		16	32	16	32
Max. back-up fuse [A]		According to type label/ configuration			
Max. charging capacity mode 3 [kW]		3,7	7,4	11	22
Rated current of charging point mode 3 I_{nC} [A]		16 - 1 ph	32 - 1 ph	16 - 3 ph	32 - 3 ph
Terminal strip supply line	Nominal cross section [mm ²]	3 x 6	3 x 10	5 x 6	5 x 10
	Rated cross section [mm ²]	rigid 3 x 6 flexible 3 x 4	rigid 3 x 10 flexible 3 x 6	rigid 5 x 6 flexible 5 x 4	rigid 5 x 10 flexible 5 x 6
	Tightening torque [Nm]	max. 0,8/ 1,8	max. 1,8	max. 0,8/ 1,8	max. 1,8
Rated insulation voltage U_i [V]		500			
Rated impulse withstand voltage U_{imp} [kV]		4			
Rated short circuit current I_{cc} [kA]		10			
Rated diversity factor RDF		1			
Earth system		TN / TT			
EMC classification		A+B			
Protection class		II			
Degree of protection		<ul style="list-style-type: none"> ▪ IP 44: Permanently attached charging cable ▪ IP 54: Charging socket type 2 with hinged lid 			
Overvoltage category		III			
Resistance to mechanical impact		IK 10			
Pollution degree		3			
Setting up		Indoor or outdoor			
Condition of installation		Stationary equipment			
Usage		ACSEV			
Mounting method		Wall mounted			
Dimensions H x W x D [mm]		475 x 259 x 220			
Weight [kg]		5 - 8,5			
Standard		DIN EN 61851-1, DIN IEC / TS 61439-7			

Environmental conditions	
Ambient air temperature	-25....+40 °C
Average temperature within 24 hours	< 35 °C
Altitude	Max. 2000m above sea level
Relative humidity	Max. 95 % (non-condensing)

Dimensions [mm]



Mounting distance [mm]



References



Parking garage Hamburg warehouse district



Brochure „Charge up your day“



Iris Hellas
Technology Innovations
www.irishellas.com

MENNEKES

Elektrotechnik GmbH & Co. KG

Aloys-Mennekes-Straße 1
57399 KIRCHHUNDEM
GERMANY

Phone: + 49 2723 41-1
Fax: + 49 2723 41-214
info@MENNEKES.de

www.MENNEKES.com

www.chargeupyourday.com