

AMTRON®



TREND E, XTRA E/R, PREMIUM E/R

WALLBOX FOR ELECTRIC VEHICLES



MENNEKES AMTRON® designed for private and semi-public use

Variants

RFID system			RFID system	RFID system
		Personal protection		Personal protection
	Calibrated digital energy meter	Calibrated digital energy meter	Calibrated digital energy meter	Calibrated digital energy meter
	Charged energy quantity can be read out via charge APP	Charged energy quantity can be read out via charge APP	Charged energy quantity can be read out via charge APP	Charged energy quantity can be read out via charge APP
	Statistic function via Charge APP	Statistic function via Charge APP	Statistic function via Charge APP	Statistic function via Charge APP
Charge APP via LAN / WLAN	Charge APP via LAN / WLAN	Charge APP via LAN / WLAN	Charge APP via LAN / WLAN	Charge APP via LAN / WLAN
LED status display Stop button	LED status display Stop button	LED status display Multifunction button	LED status display Stop button	LED status display Multifunction button
Trend E	Xtra E	Xtra R	Premium E	Premium R

Charging socket type 2 (version „T2“)				
Order no.	Order no.	Order no.	Order no.	Order no.
3,7 /7,4 kW 1357400	3,7 /7,4 kW 1354400			3,7 /7,4 kW 1355400
11 /22 kW 1357401	11 /22 kW 1354401	11 kW 1354451	11 /22 kW 1355451	11 kW 1355401

Charging socket type 2 with shutter (version „T2S“)				
Order no.	Order no.	Order no.	Order no.	Order no.
3,7 /7,4 kW 1347680	3,7 /7,4 kW 1354600	3,7 /7,4 kW 1344680		3,7 /7,4 kW 1345680
11 /22 kW 1347681	11 /22 kW 1354601	11 /22 kW 1344681	11 /22 kW 1355601	11 kW 1345681

Permanently connected charging cable with connector type 2 (version „C2“)				
Order no.	Order no.	Order no.	Order no.	Order no.
7,4 kW 1357203	7,4 kW 1354203			
22 kW 1357202	22 kW 1354202	22 kW 1354252	22 kW 1355252	22 kW 135522

Permanently connected charging cable with connector type 1 (version „C1“)				
Order no.	Order no.	Order no.	Order no.	Order no.
3,7 kW 1357100	3,7 kW 1354100			



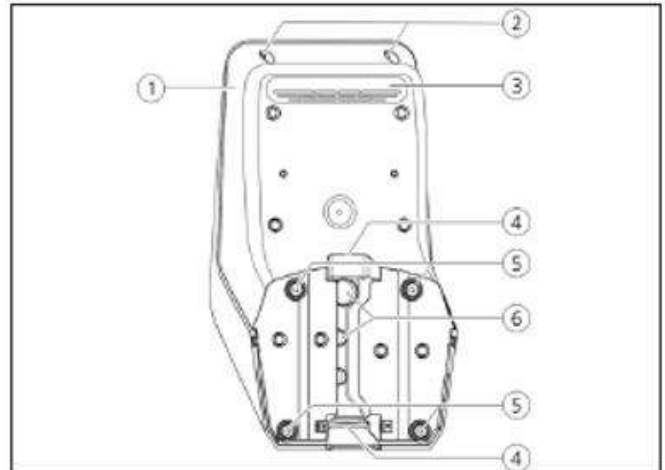
Product features

- Charging acc. Mode 3 (IEC 61851)
- Vehicle connectors and charging socket acc. IEC 62196
- Integrated cable suspension
- Charging capacity up to 22kW
- Versions:
 - Charging socket type 2
 - Permanently connected charging cable with connector type 2 (7.5m length)
 - Permanently connected charging cable with connector type 1 (7.5m length)
- Integration in the home network via WLAN / LAN
- RS485 interface for wired networking with a MENNEKES eMobility Gateway (only for Premium (E/R) devices)
- Multifunction button
 - Stop function (adjustable parameters; deactivated by default)
 - RCD test (only with integrated RCD)
 - Re-activating of RCD (only with integrated RCD)
- Status information through LED info bar
- Unlocking function in case of power failure (only for devices with charging socket type 2)
- Charge APP (download for free)
- Authorization and visualization of charging processes
- Display of the charged amount of energy and the energy costs
- Data export of charging processes (file format: pdf and csv)
- Operation modes: APP-control, time-controlled (internal), external tariff signal, Energy Manager
- Whitelist management for RFID-cards
- RFID authorization via local whitelist (up to 98 users) (only for Trend E and Premium (E/R) devices)
- Enclosure made of AMELAN®
- Ready wired for installation



Assembly

Frontansicht

Rückansicht


1. Multifunction or stop button ¹⁾
2. LED Info bar
3. Fastening screws für upper housing part
4. Upper enclosure section
5. Energy meter with inspection window ²⁾
6. Front panel
7. RFID card reader ³⁾
8. Charging socket type 2 with hinged lid ⁴⁾ or charging socket with shutter ⁵⁾
9. Pre-cut recess for supply cable /cable duct

1. Base part
2. Fastening screws for upper housing part
3. Passive ventilation
4. Recess for supply line/ cable duct
5. Fastening holes
6. Cable entries

¹⁾ Multifunction button only for Xtra R and Premium R variants, stop button only for Trend E, Xtra E and Premium E variants

²⁾ Not for Trend E variant

³⁾ Not for Xtra E/R variant

⁴⁾ Only for version „T2“

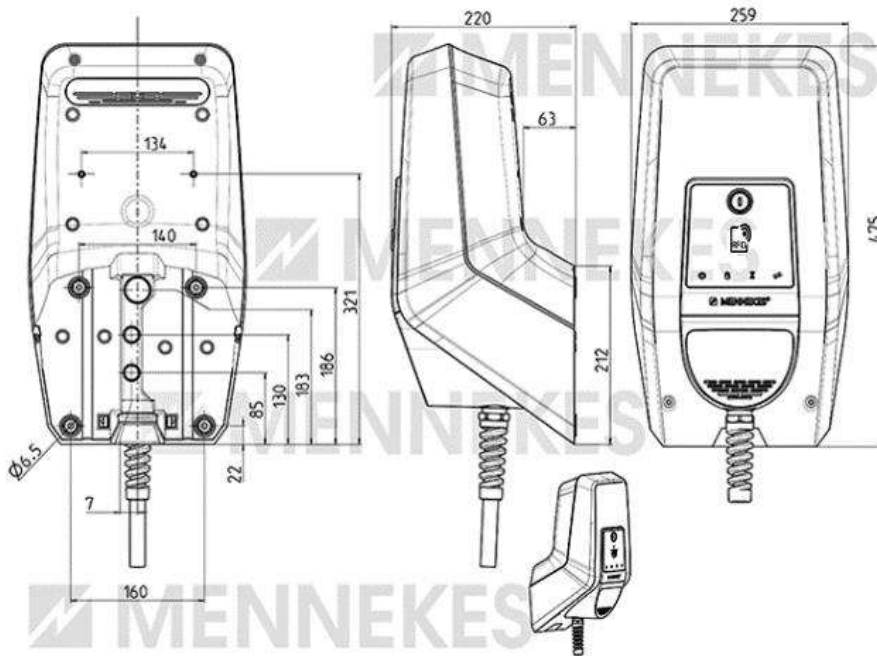
⁵⁾ Only for version „T2S“

Technical data

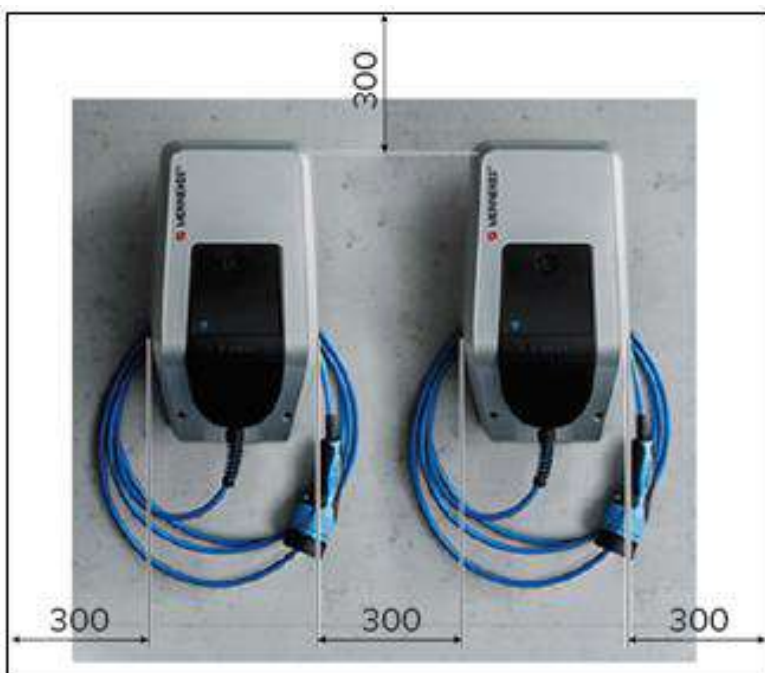
Type-dependent data		3,7	7,4	11	22
Rated voltage U_N [V] AC $\pm 10\%$		230	230	400	400
Rated frequency f_N [Hz]		50			
Rated Current I_{nA} [A]		16	32	16	32
Max. back-up fuse [A]		According to type label/ configuration			
Max. charging capacity mode 3 [kW]		3,7	7,4	11	22
Charging current Mode 3 I_{nC} [A]		16 - 1 ph	32 - 1 ph	16 - 3 ph	32 - 3 ph
Terminal strip supply line	Nominal cross section [mm ²]	3 x 6	3 x 10	5 x 6	5 x 10
	Rated cross section [mm ²]	rigid 3 x 6 flexible 3 x 4	rigid 3 x 10 flexible 3 x 6	rigid 5 x 6 flexible 5 x 4	rigid 5 x 10 flexible 5 x 6
	Tightening torque [Nm]	max. 0,8/ 1,8	max. 1,8	max. 0,8/ 1,8	max. 1,8
Rated insulation voltage U_i [V]		500			
Rated impulse withstand voltage U_{imp} [kV]		4			
Rated short circuit current I_{cc} [kA]		10			
Rated diversity factor RDF		1			
Earth system		TN / TT			
EMC classification		A+B			
Protection class		II			
Degree of protection		<ul style="list-style-type: none"> ▪ IP 44: Permanently attached charging cable ▪ IP 54: Charging socket type 2 with hinged lid 			
Overvoltage category		III			
Resistance to mechanical impact		IK 10			
Pollution degree		3			
Setting up		Indoor or outdoor			
Condition of installation		Stationary equipment			
Usage		ACSEV			
Mounting method		Wall mounted			
Dimensions H x W x D [mm]		475 x 259 x 220			
Weight [kg]		5 - 8,5			
Standard		DIN EN 61851-1, DIN IEC / TS 61439-7			

Environmental conditions	
Ambient air temperature	-25...+40 °C
Average temperature within 24 hours	< 35 °C
Altitude	Max. 2000m above sea level
Relative humidity	Max. 95 % (non-condensing)

Dimensions [mm]



Mounting distance [mm]



References



Parking garage Hamburg warehouse district



Brochure „Charge up your day“



Iris Hellas
Technology Innovations
www.irishellas.com

MENNEKES

Elektrotechnik GmbH & Co. KG

Aloys-Mennekes-Straße 1
57399 KIRCHHUNDEM
GERMANY

Phone: + 49 2723 41-1
Fax: + 49 2723 41-214
info@MENNEKES.de

www.MENNEKES.com

www.chargeupyourday.com