

CHARGING STATION BASIC



CHARGING STATION FOR ELECTRIC VEHICLES



MENNEKES charging stations are designed for private and semi-public use

Variants

Thermal management
Personal and line protection
BKE for eHZ
Auto switch (only for 22kW)
Static load management
Key switch / external control signal

Basic

Charging socket type 2 (version „T2“)	
	Order no.
3,7 kW	311520
	1311520SI
	1311520SW
11 kW	311530
	1311530SI
	1311530SW
22 kW	311510
	1311510SI
	1311510SW
Charging socket type 2 and SCHUKO (version „S“)	
	Order no.
22 kW	311511
	1311511SI
	1311511SW

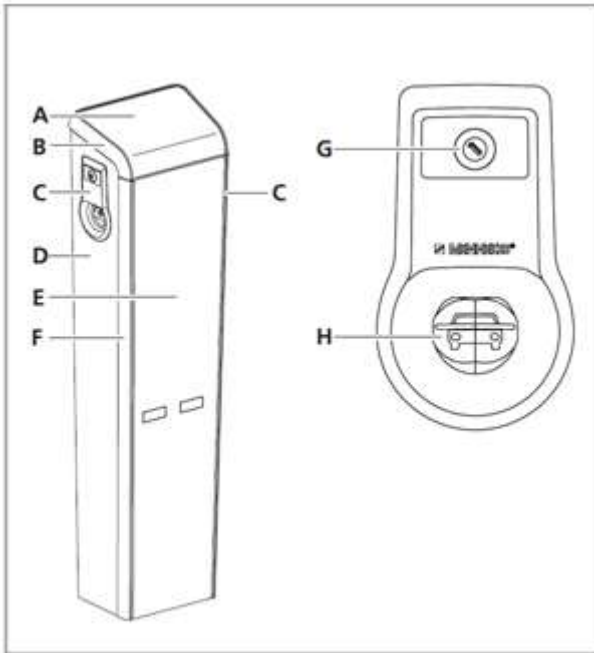


Product features

- Charging mode 3acc. to IEC 61851
- Vehicle connectors and charging socket acc. to IEC 62196
- Charging capacity up to 22kW
- Versions:
 - Charging socket type 2
 - Charging socket type 2 with SCHUKO®
- Auto-switch function for automatic switching between 16 A and 32 A charging cables
- Operation of the charging system as a stand-alone solution. No connection to a backend-system possible.
- Authorization via key switch or external control signal
- Static load management for the best possible distribution of the available power of either 22 kW, 33 kW or 44 kW (2x16 A, 1x16 A / 1x32 A, 2x 32 A) on both charging points
- Integrated MCB's and RCD's
- Unlocking function in case of grid failure (only for devices with charging socket type 2)
- Comfortable one-hand operation
- Charging column with temperature controlled ventilation system
- Ready wired for installation (Plug & Play)
- Enclosure made of sheet steel, galvanised, primed and powder-coated

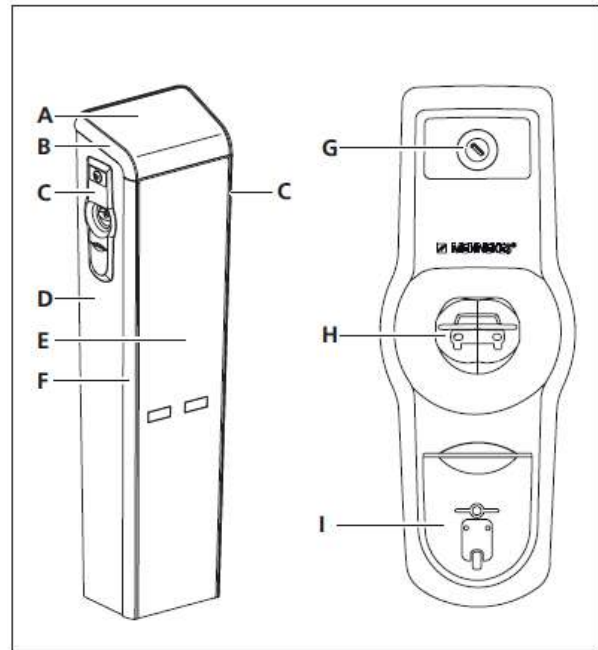
Assembly

Basic



- A. Cover panel
- B. Cover
- C. Socket panel (2x)
- D. Basic enclosure
- E. Front panel
- F. Profil strips
- G. Key switch
- H. Type 2 charging socket (mode 3)

Basic S



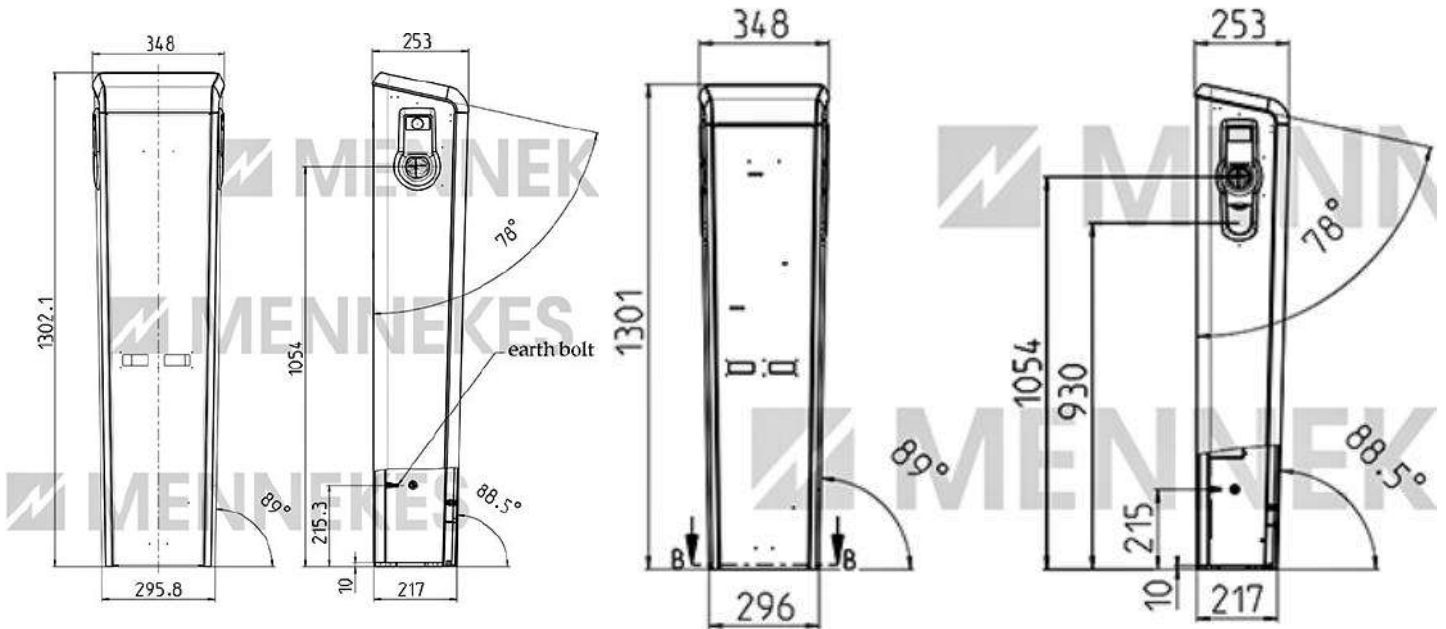
- A. Cover panel
- B. Cover
- C. Socket panel (2x)
- D. Basic enclosure
- E. Front panel
- F. Profil strips
- G. Key switch
- H. Type 2 charging socket (mode 3)
- I. SCHUKO® charging socket (mode 1)

Technical data

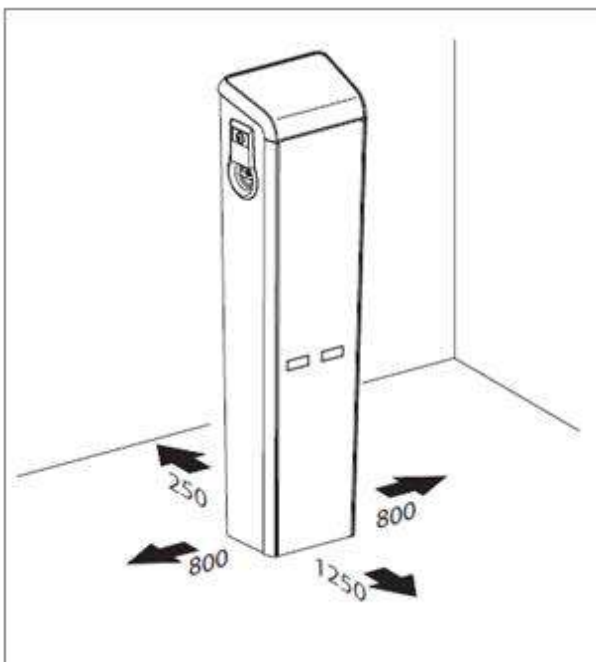
Type-dependent data		3,7	11	22	S22
Rated voltage U_N [V] AC $\pm 10\%$		400			
Rated frequency f_N [Hz]		50			
Rated Current I_{nA} [A]		16	32	32	
Max. back-up fuse [A]		100			
Max. charging capacity mode 3 [kW]		2x 3,7	2x 11	2x 22	
Rated current of charging point mode 3 I_{nc} [A]		16 - 1 ph	16 - 3 ph	32 - 3 ph	
Max. charging capacity mode 1 [kW]		-			2x 3
Rated current of charging point mode 1 I_{nc} [A]		-			13 - 1 ph
Terminal for supply line	Rated cross section	5 x 2 x 50 mm ² , only for copper wires			
	Terminal area	rigid 0,75 - 50 mm ² flexible 0,75 - 35 mm ²			
	Tightening torque	3,2 - 3,7 Nm,			
	Short-circuit current	max. 6 kA			
Terminal for external control signal	Terminal area	rigid max. 6 mm ² or 2 x 2,5 mm ² flexible max. 4 mm ² or 2 x 2,5 mm ²			
	Tightening torque	0,8 Nm			
Coil voltage for external control signal		230 V AC (optional by relay exchange : 12 V DC / 24 V DC)			
Rated insulation voltage U_i [V]		500			
Rated impulse withstand voltage U_{imp} [kV]		4			
Rated conditional short-circuit current I_{cc} [kA]		10			
Rated diversity factor RDF		1			
Earth system		TN / TT			
EMC classification		A / B			
Protection class		I			
Degree of protection		IP 44			
Overvoltage category		III			
Resistance to mechanical impact		IK 10			
Pollution degree		3			
Setting up		Outdoor			
Condition of installation		Stationary			
Usage		ACSEV			
Mounting method		Floor-mounted			
Dimensions H x W x D [mm]		1302 x 348 x 253			
Weight [kg]		67			
Standard		IEC 61851, DIN IEC / TS 61439-7			

Environmental conditions	
Ambient air temperature	-25...+40 °C
Average temperature within 24 hours	< 35 °C
Relative humidity	Max. 95 % (non-condensing)

Dimensions [mm]



Mounting distance [mm]



References



Company parking in Trier



Company parking in Bonn



Iris Hellas
Technology Innovations
www.irishellas.com

MENNEKES

Elektrotechnik GmbH & Co. KG

Aloys-Mennekes-Straße 1
57399 KIRCHHUNDEM
GERMANY

Phone: + 49 2723 41-1
Fax: + 49 2723 41-214
info@MENNEKES.de
www.MENNEKES.com

www.chargeupyourday.com