

WALL-MOUNTED CHARGING STATION PREMIUM

WALLBOX FOR ELECTRIC VEHICLES



MENNEKES wallbox designed for private and semi-public use

Variants

Socket heating
Personal and line protection
BKE for eHZ and smart meter (eHZ)
Auto-switch
RFID- Reader
Text display

Premium*

Charging socket type 2 (version „T2“)	
	Order no.
22kW	313720 1313720SI 1313720SW
Charging socket type 2 and SHUKO (version „T2“)	
	Order no.
22kW	313721 1313721SI 1313721SW

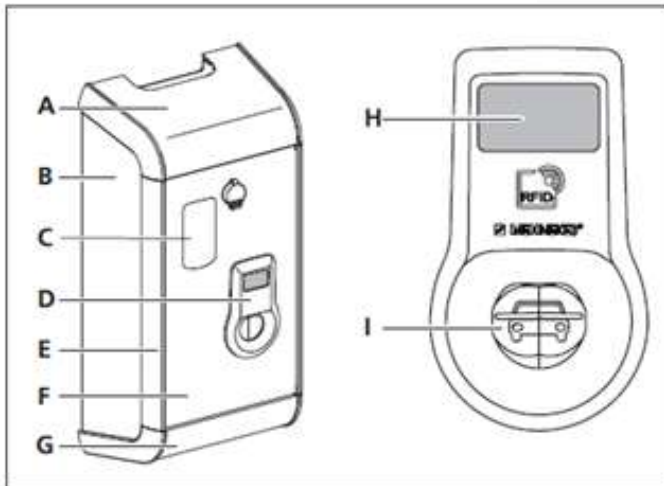


Product features

- Charging acc. to mode 3 (IEC 61851)
- Vehicle connectors and charging socket acc. IEC 62196
- In conformity with verification legislation according to type-examination certificate DE-17-M-PTB-0064 (only for version T2 and S)
- Charging capacity up to 22kW
- Versions:
 - Charging socket type 2
 - Charging socket type 2 and SCHUKO®
 - Permanently connected charging cable with connector type 2 (7,5m length)
- Auto-switch function for automatic switching between 16 A and 32 A charging cables
- Operation with MENNEKES® eMobility Gateway and an OCPP backend system (e.g. www.chargecloud.de)
- Bus Terminals for connection via RS485 bus
- Status information by text display
- Integrated MCB's and RCD's
- Heating charging socket type 2
- One hand operation
- Unlocking function in case of grid failure (only for devices with charging socket type 2)
- Ready wired for installation
- Enclosure made of sheet steel, galvanised, primed and powder-coated

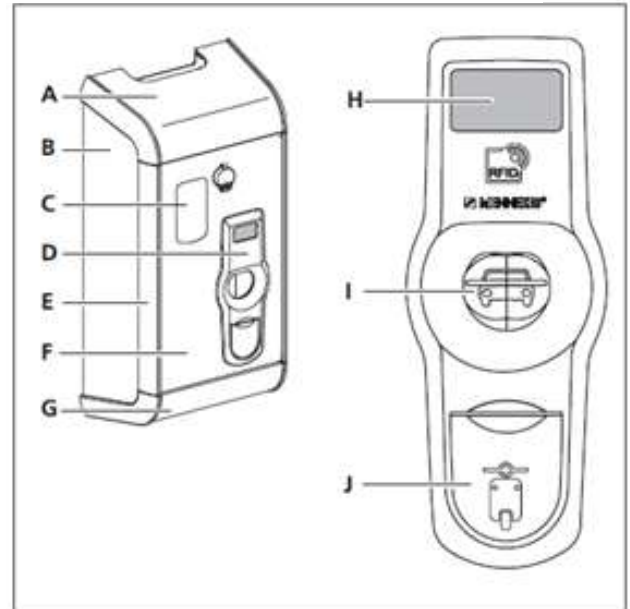
Assembly

Premium



- A. Top cover
- B. Heating charging socket type 2
(not including attachment materials)
- C. Counter window
- D. Socket panel
- E. Profil strips
- F. Front panel to fold open
- G. Bottom Cover
- H. Text display for user guidance
- I. Type 2 charging socket (mode 3)

Premium S



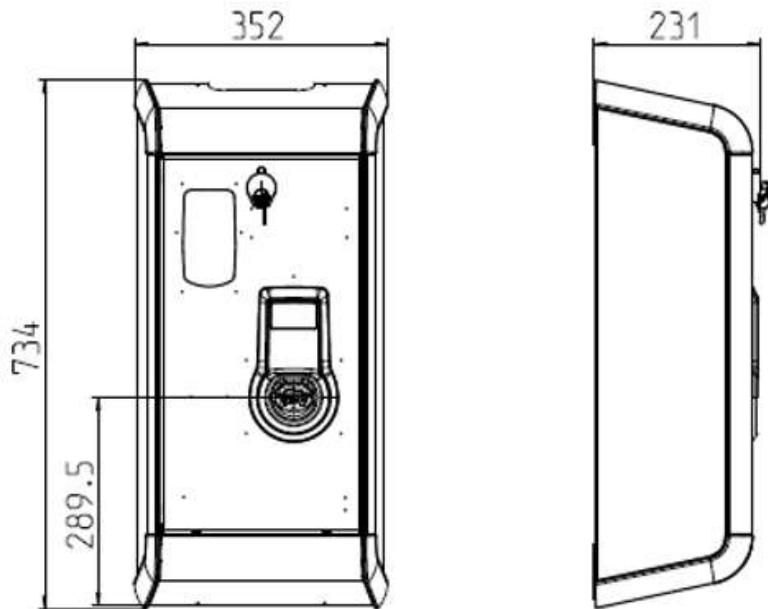
- A. Top cover
- B. Heating charging socket type 2
(not including attachment materials)
- C. Counter window
- D. Socket panel
- E. Profil strips
- F. Front panel to fold open
- G. Bottom Cover
- H. Text display for user guidance
- I. Type 2 charging socket (mode 3)
- J. Charging socket SCHUKO® (mode 1)

Technical Data

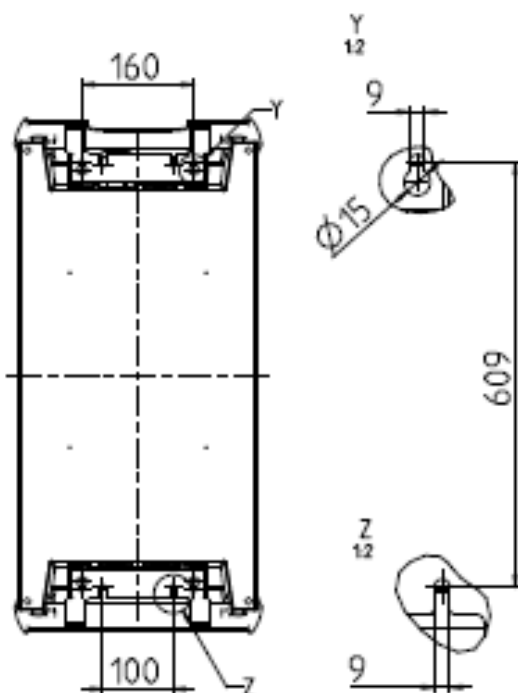
Type-dependent data		Premium*	Premium* S
Rated voltage U_N [V] AC $\pm 10\%$		400	
Rated frequency f_N [Hz]		50	
Rated Current I_{nA} [A]		63	
Max. back-up fuse [A]		80	
Max. charging capacity mode 3 [kW]		22	
Rated current of charging point mode 3 I_{nC} [A]		32 – 3 ph	
Max. charging capacity mode 1 [kW]		3	
Rated current of charging point mode 1 I_{nC} [A]		13A – 1 ph	
Terminal strip supply line	Nominal cross section	5 x 2 x 25 mm ²	
	Terminal area	rigid 2,5 - 25mm ² flexible 1,5 - 16mm ²	
	Tightening torque	2,5 Nm	
Terminal strip RS485-Bus	Nominal cross section	2x2 terminal points and 2 shield contacts for shielded twisted-pair cables.	
	Terminal area	rigid 0,08 - 6mm ² flexible 0,08 - 4mm ²	
Rated insulation voltage U_i [V]		500	
Rated impulse withstand voltage U_{imp} [kV]		4	
Rated conditional short-circuit current I_{cc} [kA]		10	
Rated diversity factor RDF		1	
Earth system		TN / TT	
EMC classification		A / B	
Protection class		I	
Degree of protection		IP 44	
Overvoltage category		III	
Resistance to mechanical impact		IK 10	
Pollution degree		3	
Setting up		Outdoor	
Condition of installation		Stationary	
Usage		ACSEV	
Mounting method		Wall-mounted	
Dimensions H x W x D [mm]		734 x 352 x 231	
Weight [kg]		27	
Standard		IEC 61851, DIN IEC / TS 61439-7	

Environmental conditions	
Ambient temperature	-25....+40 °C
Average temperature within 24 hours	< 35 °C
Relative humidity	Max. 95 % (non-condensing)

Dimensions [mm]



Mounting distance [mm]



Distributed in the UK exclusively by:

Drivenergy Ltd
The Innovation Centre
Trevenson Road
Pool
REDRUTH TR15 3PL

Phone: 0800 242743
info@drivenergy.uk

www.drivenergy.uk

MENNEKES

Elektrotechnik GmbH & Co. KG

Aloys-Mennekes-Straße 1
57399 KIRCHHUNDEM
GERMANY

Phone: + 49 2723 41-1
Fax: + 49 2723 41-214
info@MENNEKES.de

www.MENNEKES.de

www.chargeupyourday.de