

WALL-MOUNTED CHARGING STATION BASIC

WALLBOX FOR ELECTRIC VEHICLES



MENNEKES wallbox designed for private and semi-public use

Variants

Personal and line protection
BKE for eHZ
Auto-switch (only for 22kW)
Key switch / external control signal

Basic

Charging socket type 2 (version „T2“)

	Order no.
11kW	311730
	1311730SI
	1311730SW
22kW	311710
	1311710SI
	1311710SW



Charging socket type 2 and SCHUKO (version „S“)

	Order no.
22kW	311711
	1311711SI
	1311711SW

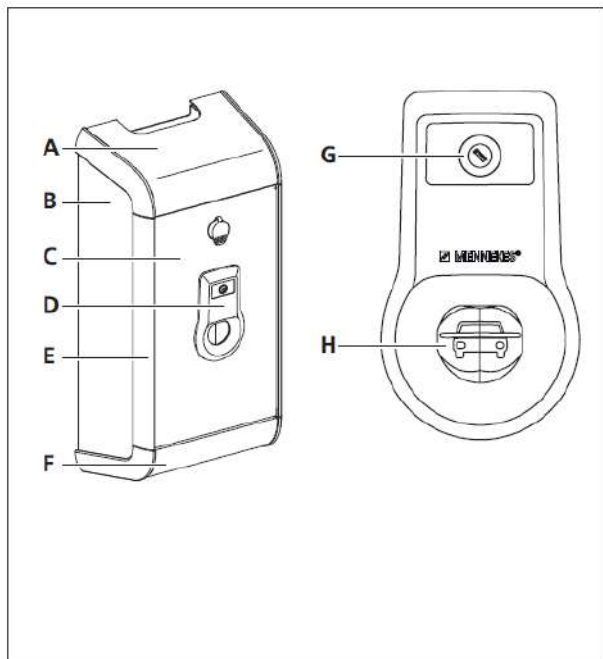


Product features

- Charging acc. to mode 3 (IEC 61851)
- Vehicle connectors and charging socket acc. to IEC 62196
- Charging capacity up to 22kW
- Versions:
 - Charging socket type 2
 - Charging socket type 2 and SCHUKO®
- Auto-switch function for automatic switching between 16 A and 32 A charging cables
- Operation of the charging system as a stand-alone solution. No connection to a backend-system possible.
- Authorization via key switch or external control signal
- One hand operation
- Integrated MCB's and RCD's
- Unlocking function in case of grid failure (only for devices with charging socket type 2)
- Ready wired for installation
- Enclosure made of sheet steel, galvanised, primed and powder-coated

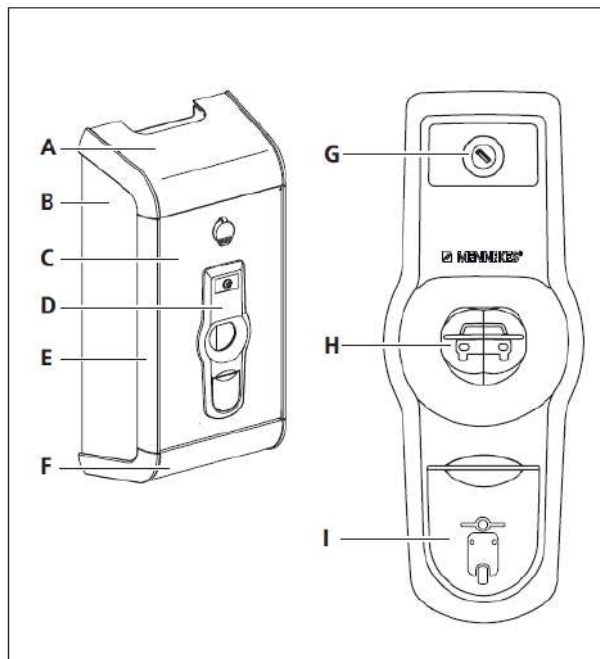
Assembly

Basic



- A. Top cover
- B. Heating charging socket type 2
(not including attachment materials)
- C. Front panel to fold open
- D. Socket panel
- E. Profil strips
- F. Bottom cover
- G. Key switch
- H. Type 2 charging socket (mode 3)

Basic S



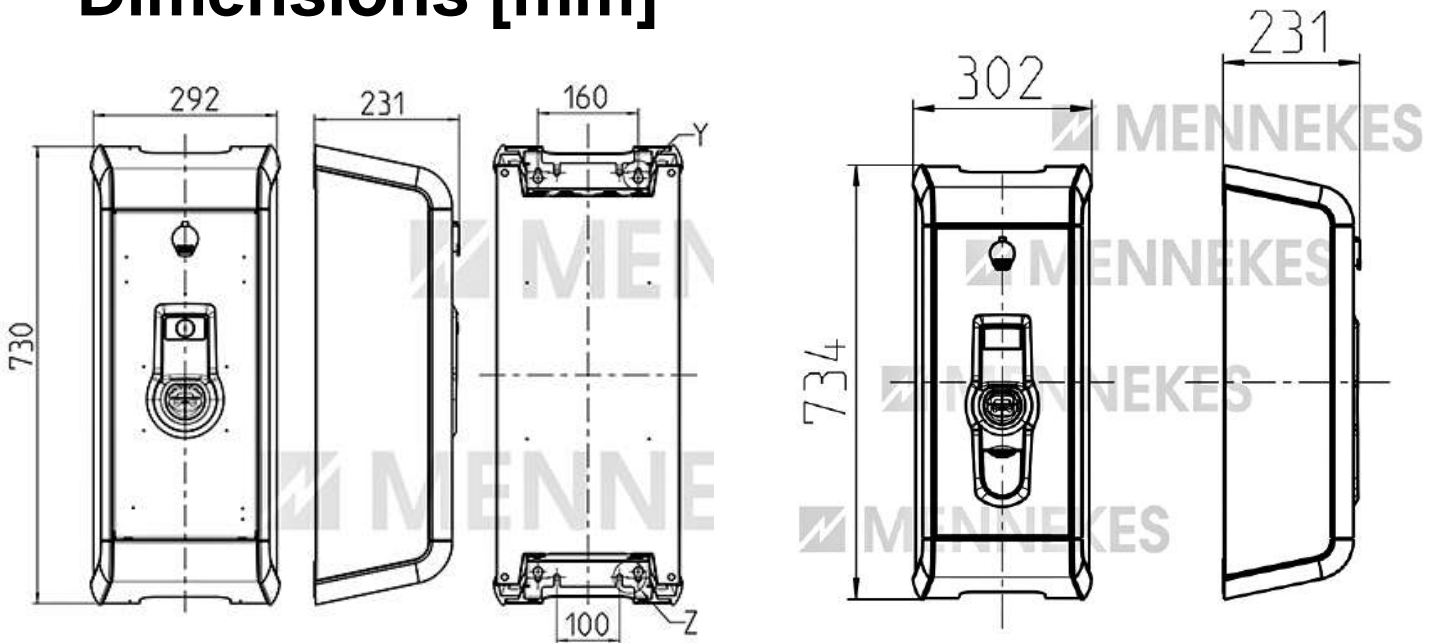
- A. Top cover
- B. Heating charging socket type 2
(not including attachment materials)
- C. Front panel to fold open
- D. Socket panel
- E. Profil strips
- F. Bottom cover
- G. Key switch
- H. Type 2 charging socket (mode 3)
- I. Charging socket SCHUKO® (mode 1)

Technical data

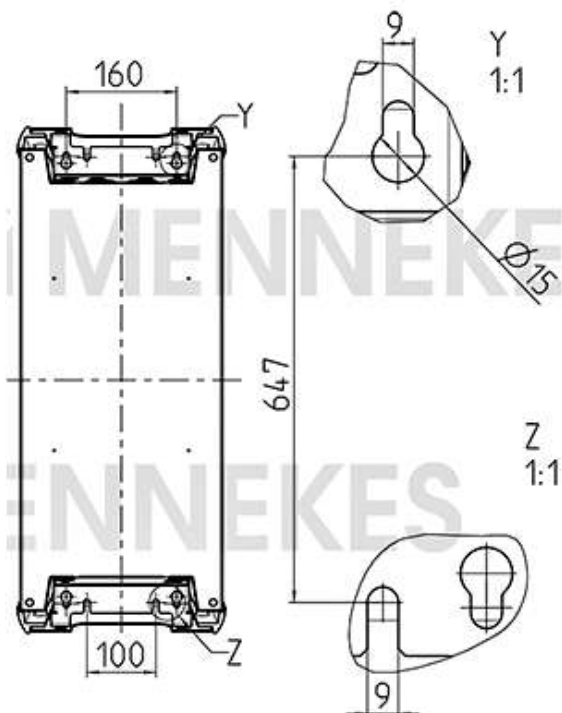
Type-dependent data		Basic 11	Basic 22	Basic S
Rated voltage U_N [V] AC $\pm 10\%$		400		
Rated frequency f_N [Hz]		50		
Rated Current I_{nA} [A]		16	32	32
Max. back-up fuse [A]		63		
Max. charging capacity mode 3 [kW]		11	22	
Rated current of charging point mode 3 I_{nC} [A]		16 – 3 ph	32 – 3 ph	
Max. charging capacity mode 1 [kW]				
Rated current of charging point mode 1 I_{nC} [A]				
Terminal strip supply line	Nominal cross section	5 x 2 x 25mm ² , only for copper cables		
	Terminal area	rigid 2,5 - 25mm ² flexible 1,5 - 16mm ²		
	Tightening torque	3 Nm		
Terminal strip RS485-Bus	Nominal cross section	rigid max. 6mm ² or 2 x 2,5mm ² flexible max. 4mm ² or 2 x 2,5mm ²		
	Tightening torque	0,8Nm		
Coil voltage external signal transmitter		230 V AC (optional by relay exchange :12 V DC / 24 V DC)		
Rated insulation voltage U_i [V]		500		
Rated impulse withstand voltage U_{imp} [kV]		4		
Rated conditional short-circuit current I_{cc} [kA]		10		
Rated diversity factor RDF		1		
System nach Art der Erdverbindung		TN / TT		
Earth system		A / B		
Protection class		I		
Degree of protection		IP 44		
Overvoltage category		III		
Resistance to mechanical impact		IK 10		
Degree of pollution		3		
Setting up		Outdoor		
Condition of installation		Stationary		
Usage		ACSEV		
Mounting method		Wall-mounted		
Dimensions H x W x D [mm]		730 x 292 x 231	734 x 302 x 231	
Weight [kg]		25		

Environmental conditions	
Ambient temperature	-25...+40 °C
Average temperature within 24 hours	< 35 °C
Relative humidity	Max. 95 % (non-condensing)

Dimensions [mm]



Mounting distance [mm]



Distributed in the UK exclusively by:

**Drivenergy Ltd
The Innovation Centre
Trevenson Road
Pool
REDRUTH TR15 3PL**

**Phone: 0800 242743
info@drivenergy.uk**

www.drivenergy.uk

MENNEKES

Elektrotechnik GmbH & Co. KG

Aloys-Mennekes-Straße 1
57399 KIRCHHUNDEM
GERMANY

Phone: + 49 2723 41-1

Fax: + 49 2723 41-214

info@MENNEKES.de

www.MENNEKES.de

www.chargeupyourday.de